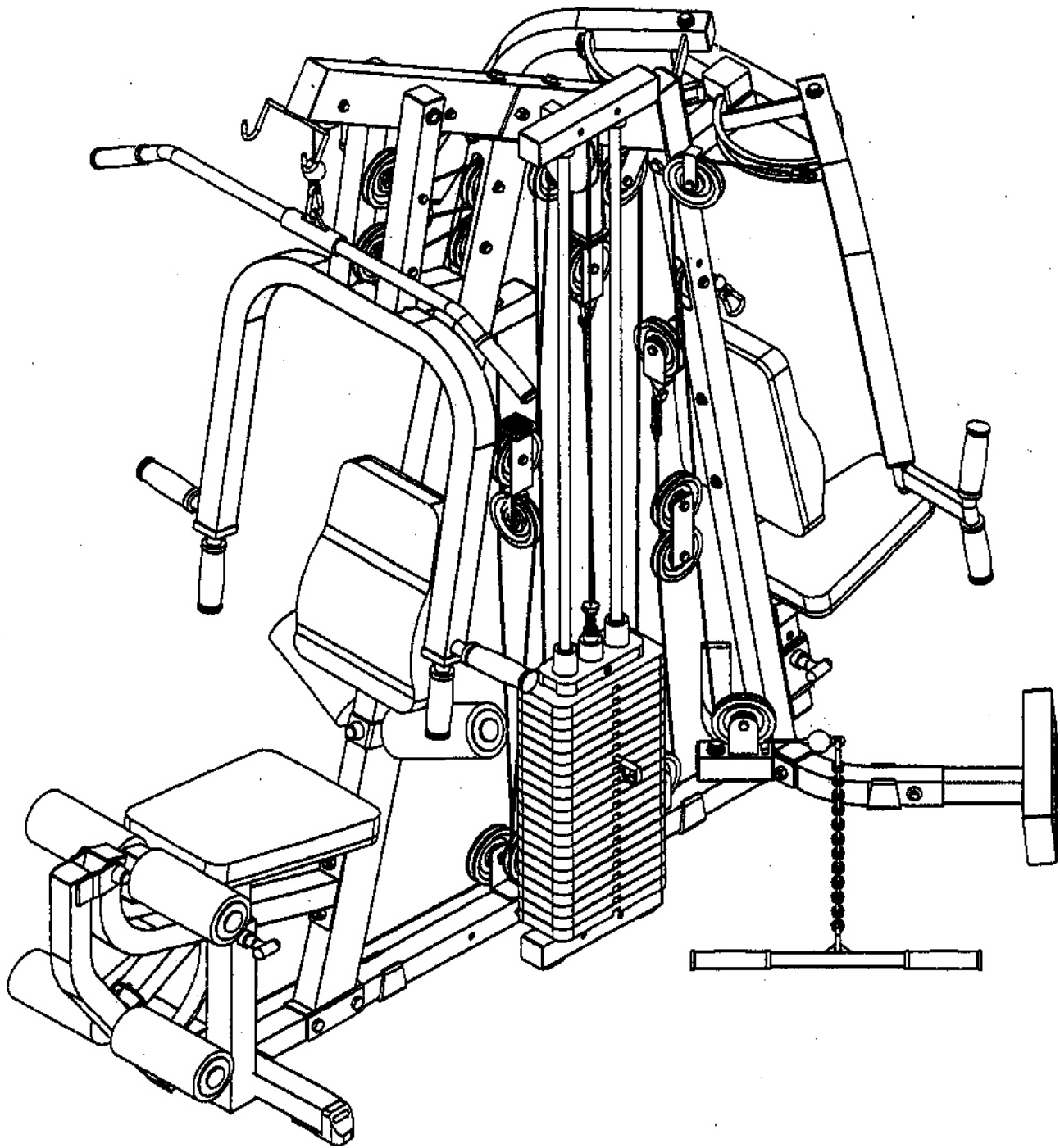
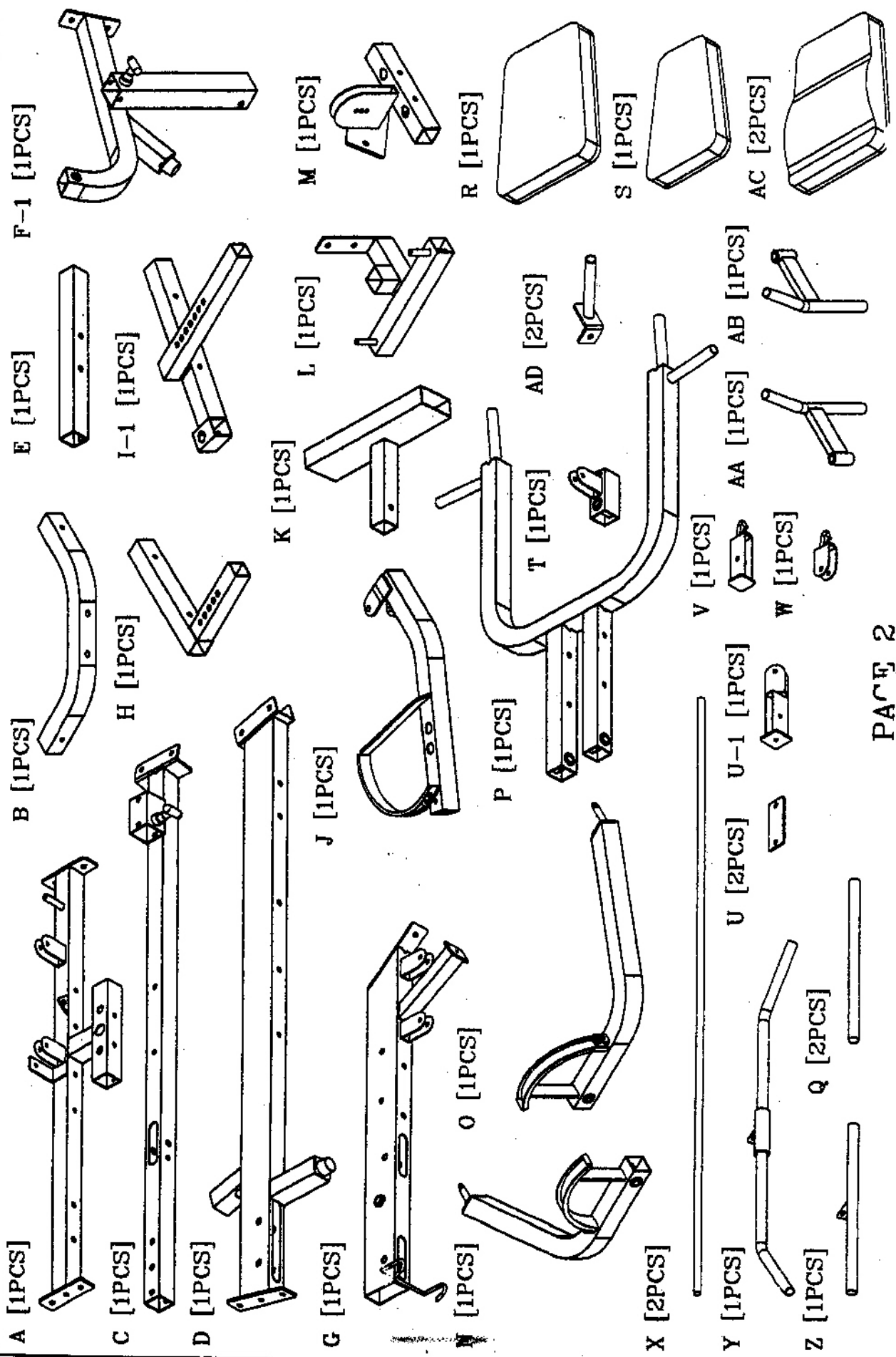


EXM-2500.1



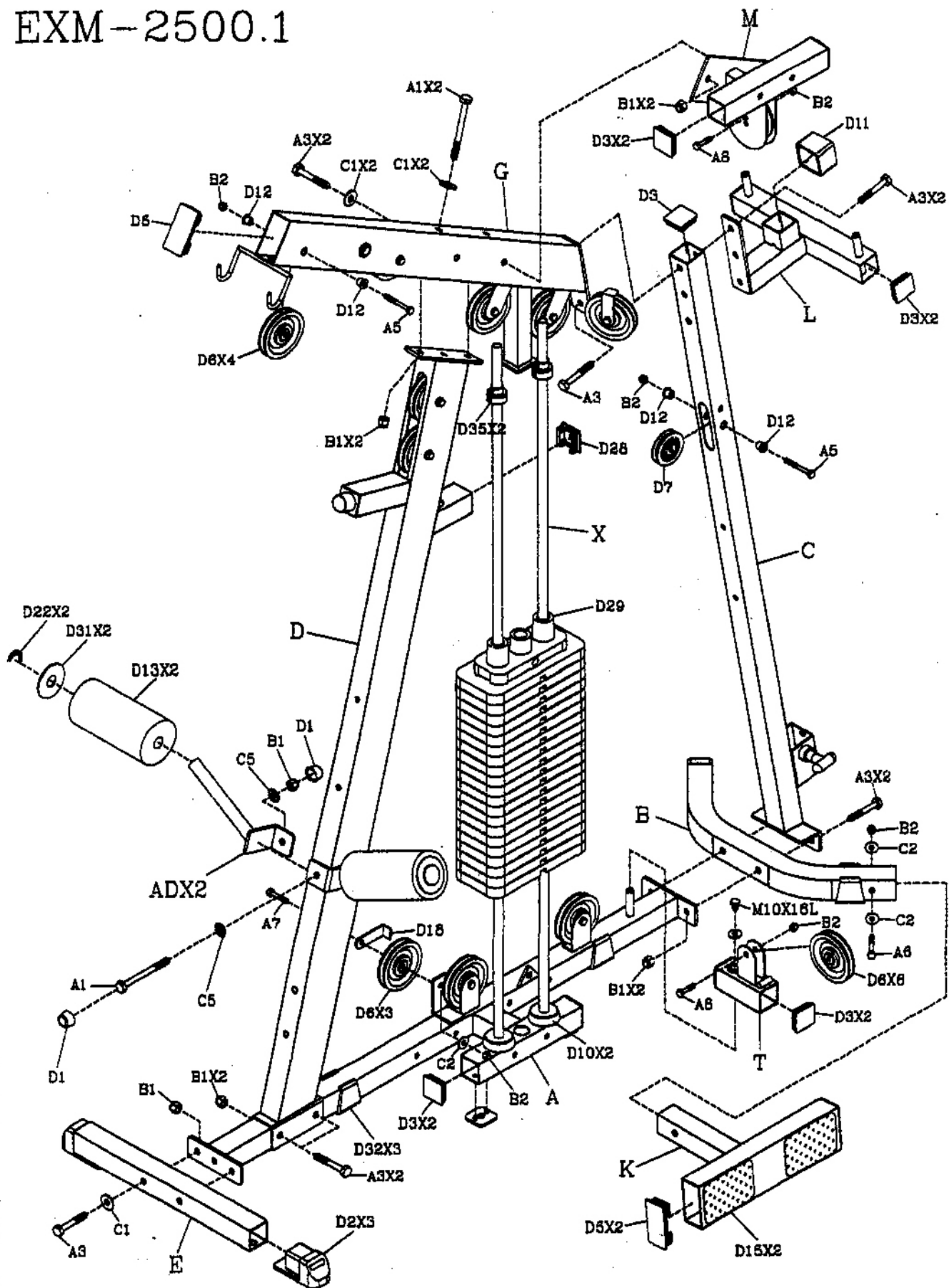
VERSION 0006

EXM-2500.1 PARTS ILLUSTRATION SHEET

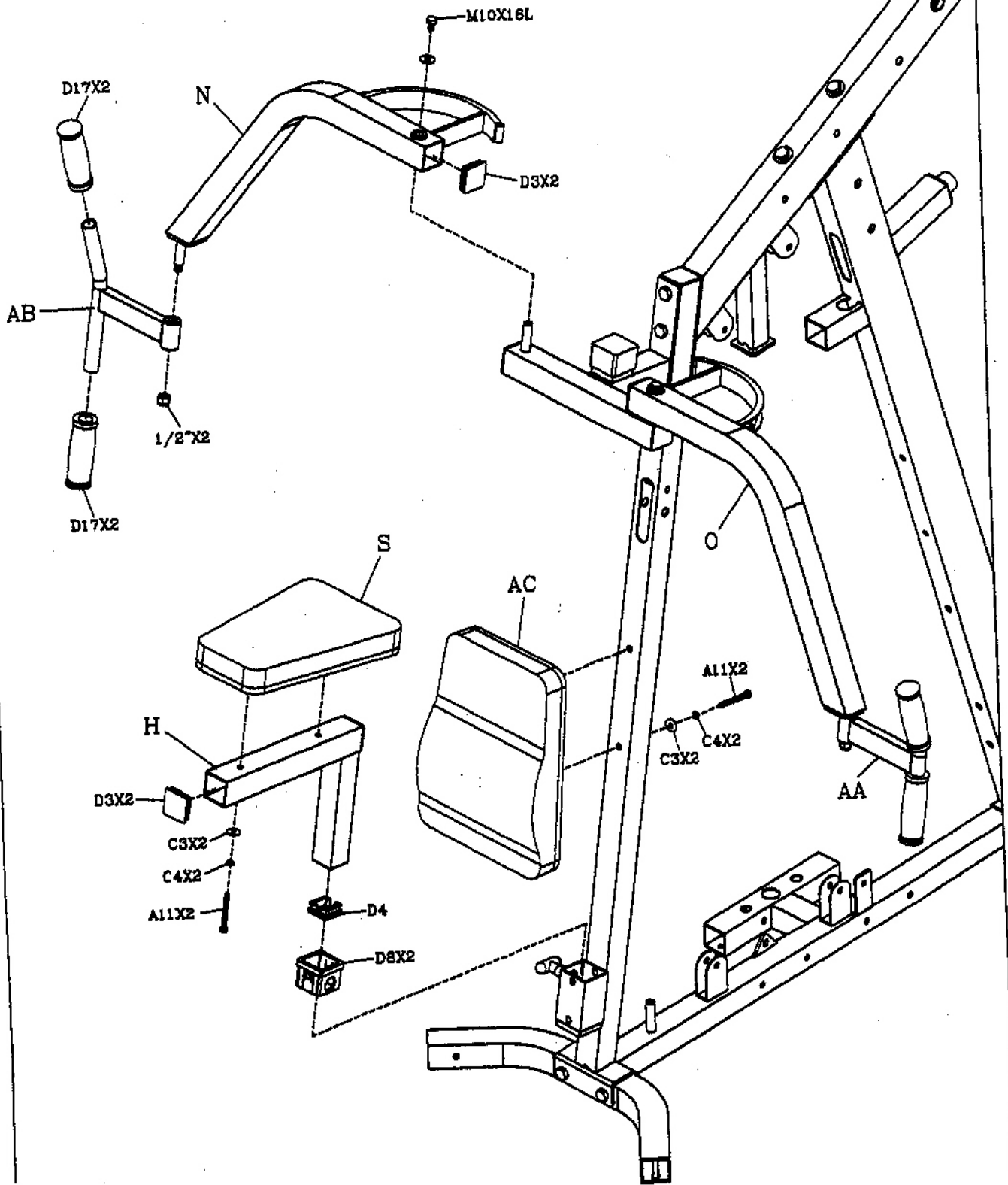


PAGE 2

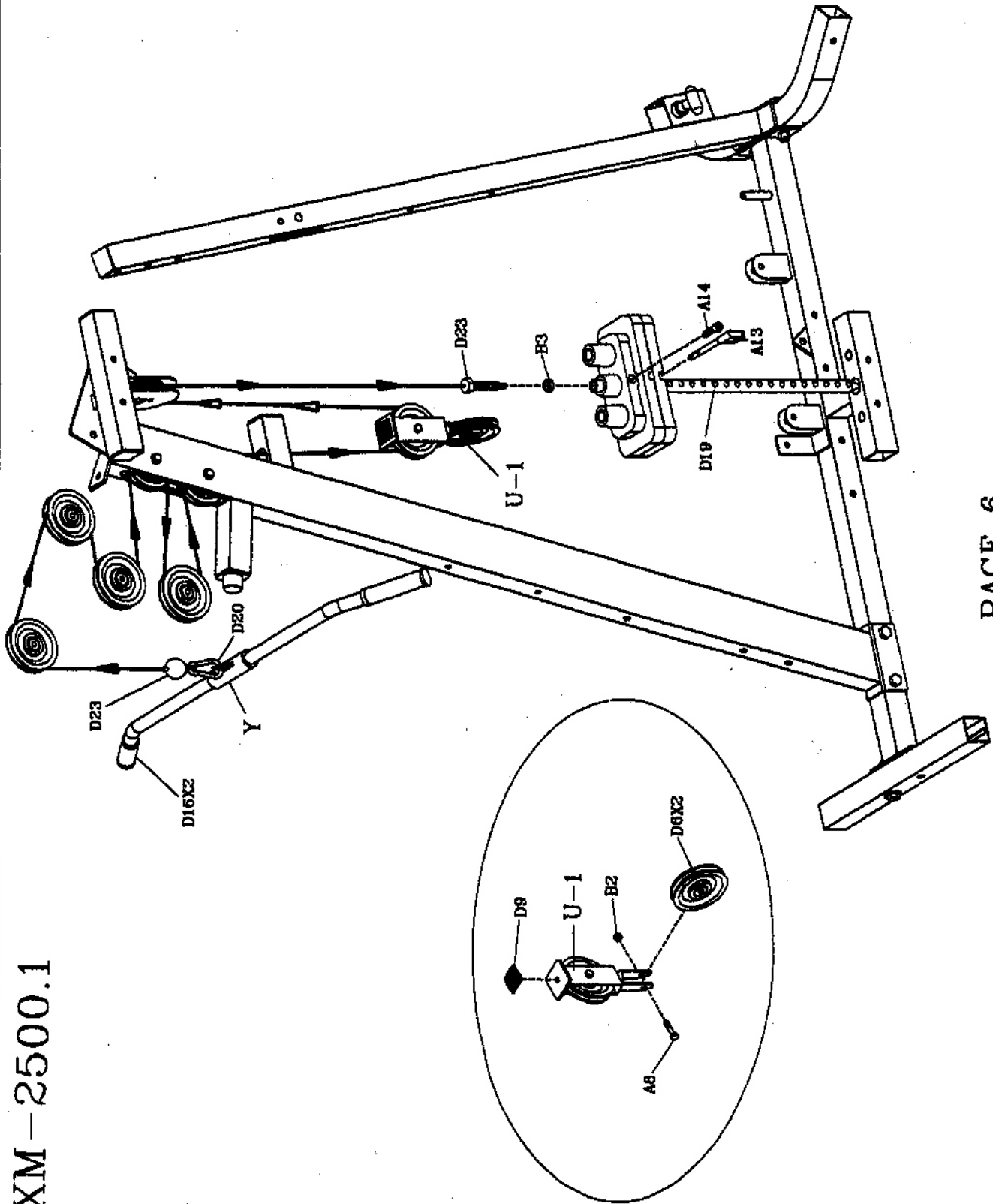
EXM-2500.1



EXM-2500.1



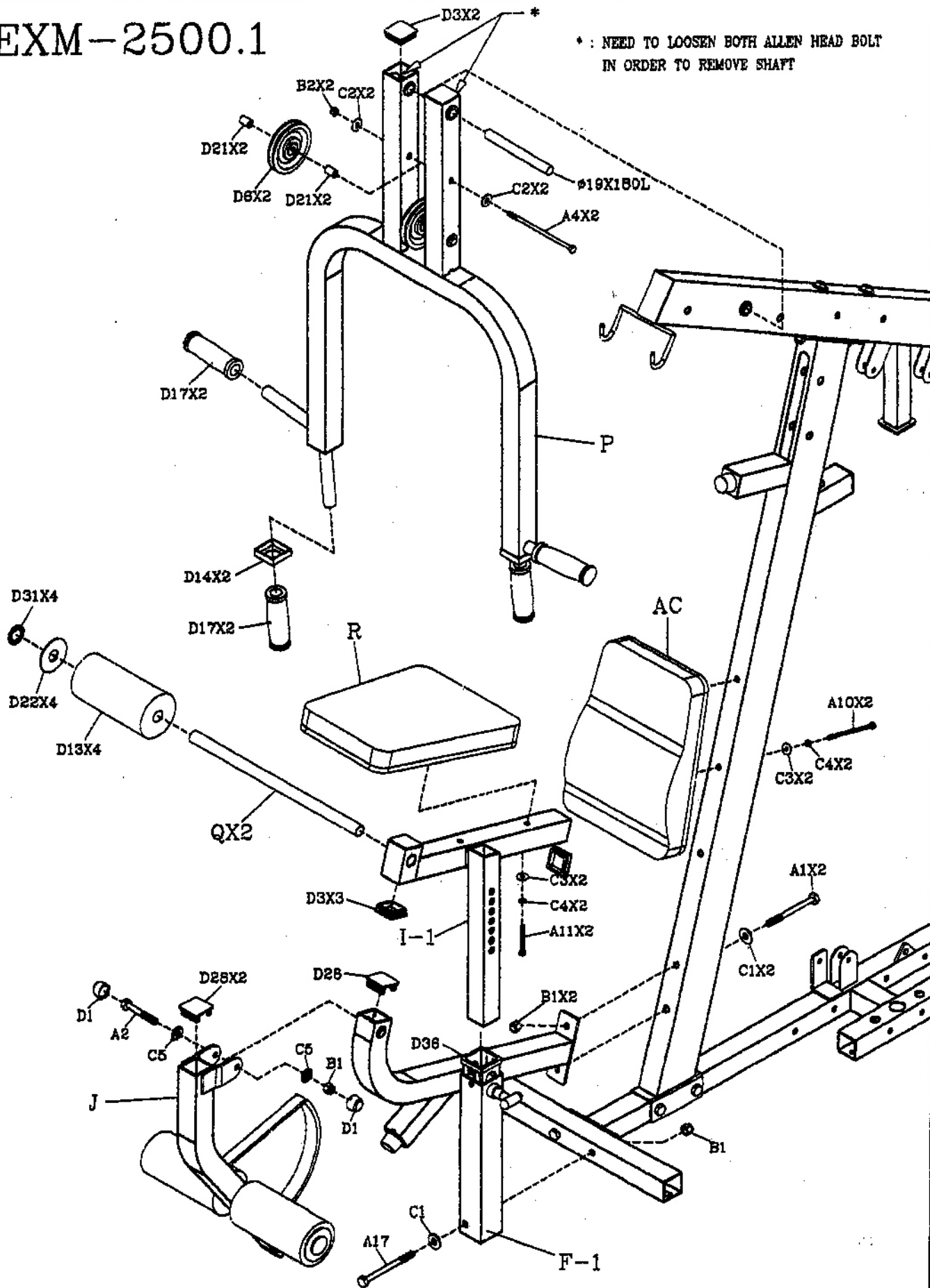
EXM-2500.1



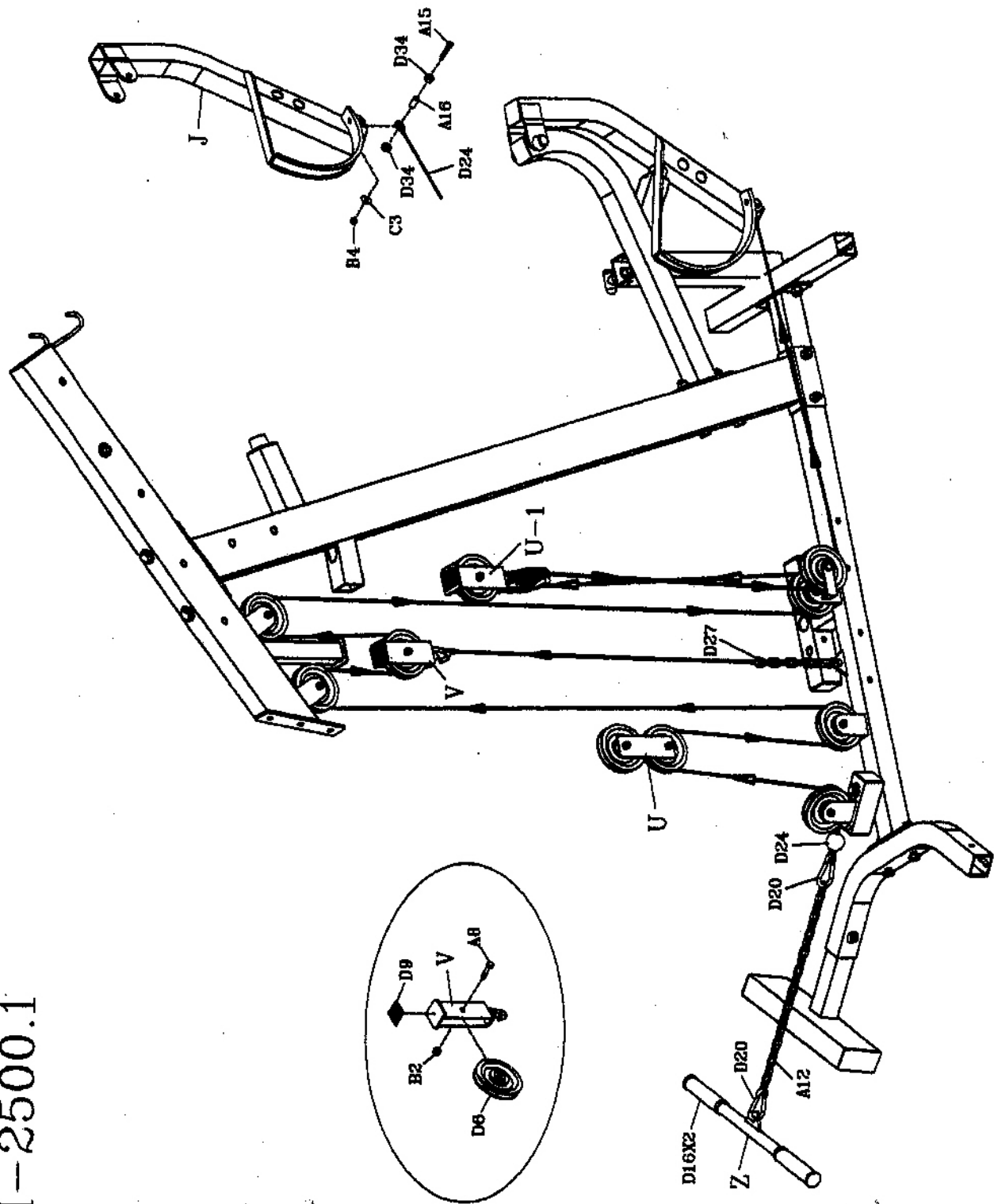
PAGE 6

EXM-2500.1

* : NEED TO LOOSEN BOTH ALLEN HEAD BOLT IN ORDER TO REMOVE SHAFT

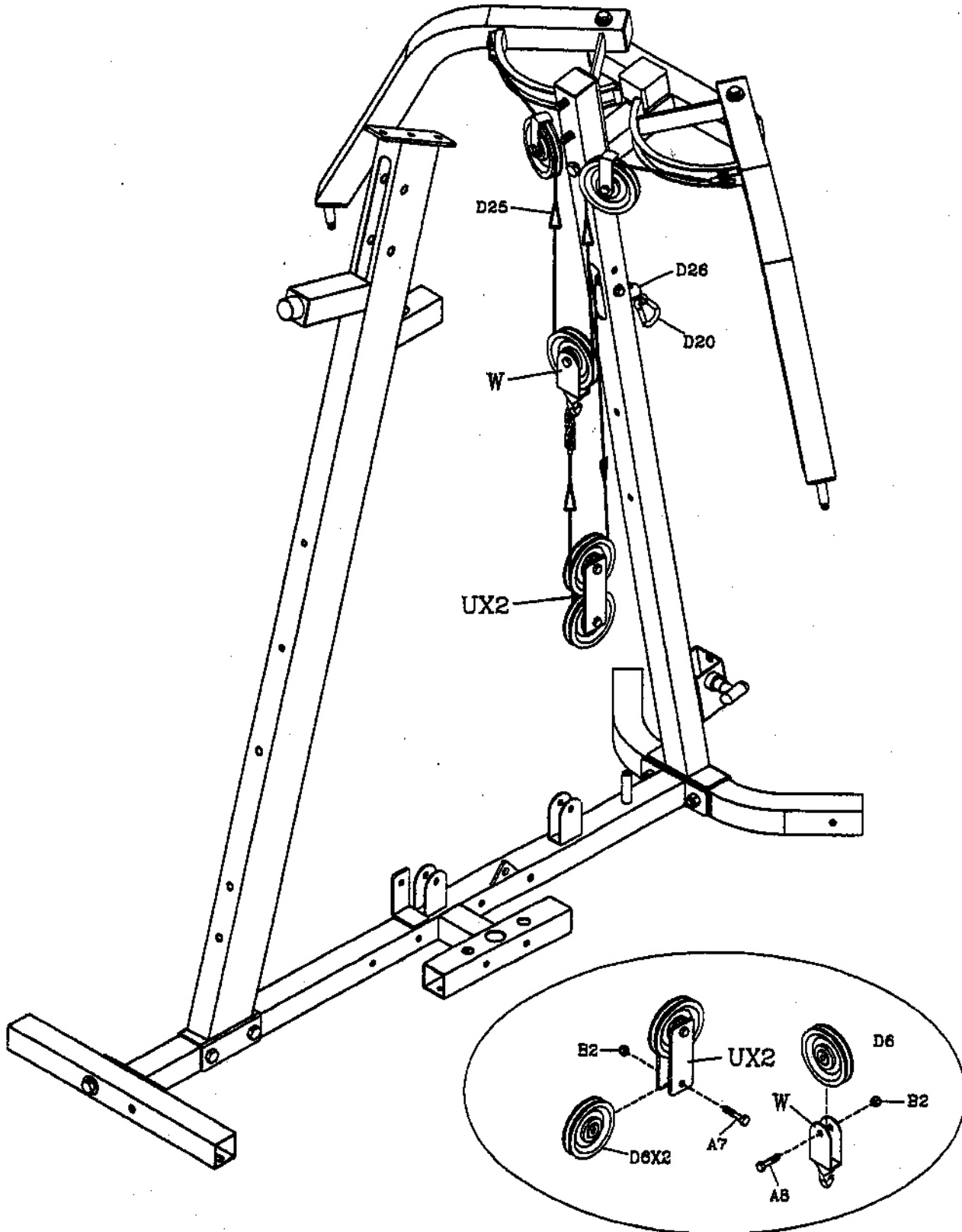


EXM-2500.1



PAGE 8

EXM-2500.1



EXM-2500.1 HARDWARE

ILLUSTRATION SHEET

Qty.		D1	D2	D3	D4	D5
[4PCS]	D1. 1/2" BOLT CAP					
[3PCS]	D2. 2"x2" FOOT CAP (E4086)					
[18PCS]	D3. 2"x2"x1.8t END CAP (E4001)					
[1PCS]	D4. 1 3/4"x1 3/4" END CAP (E4002)					
[3PCS]	D5. 2"x4" END CAP (E4049)					
[21PCS]	D6. ø110mm PULLEY (E4014A)					
[1PCS]	D7. ø75mm PULLEY (E4033)					
[2PCS]	D8. 60X45mm NYLON BUSHING (E4008)					
[2PCS]	D9. 38X38mm RUBBER PAD (E2006)					
[2PCS]	D10. ø2 1/2" RUBBER DOUNT (E2008)					
[1PCS]	D11. 2"x2" NYLON BUSHING (E2009)					
[10PCS]	D12. STEEL BUSHING (E3031)					
[6PCS]	D13. ø4"x8" FOAM ROLLER (F4001)					
[2PCS]	D14. 2"x2"xø33 END CAP (E4004)					
[2PCS]	D15. 95X140mm NO-SLIP TAPE (E5024)					
[4PCS]	D16. ø1"x34X135 RUBBER GRIP (E4068)					
[8PCS]	D17. ø1"x41X135 RUBBER GRIP (E4082)					
[3PCS]	D18. PULLEY WHEEL BLOCK (D30470)					
[1PCS]	D19. WEIGHT SELECTOR BAR (E10113)					
[5PCS]	D20. ø8mm SPRING SNAP LINK (E5000)					
[4PCS]	D21. ø5/8" STEEL BUSHING (E10116)					
[6PCS]	D22. ø1" ROUND END CAP (E10128)					
[1PCS]	D23. 4070mm STEEL CABLE					
[1PCS]	D24. 7540mm STEEL CABLE					
[1PCS]	D25. 1640mm STEEL CABLE					
[1PCS]	D26. 1500mm STEEL CABLE					
[1PCS]	D27. 950mm STEEL CABLE					
[4PCS]	D28. 2"x2"x2.5t END CAP (E4043)					
[1PCS]	D29. TOP PLATE (F5068)					
[6PCS]	D31. ø3" NYLON WASHER (E4085)					
[3PCS]	D32. 2"x2" RUBBER DOUNT (E4091)					
[2PCS]	D33. RUBBER CANE CAP (E4039)					

EXM-2500.1 HARDWARE ILLUSTRATION SHEET

Qty.

A1.	1/2"X5" HEX HEAD BOLT	[5PCS]
A2.	1/2"X3 1/4" HEX HEAD BOLT	[1PCS]
A3.	1/2"X3" HEX HEAD BOLT	[10PCS]
A4.	3/8"X7 1/4" HEX HEAD BOLT	[2PCS]
A5.	3/8"X2 3/4" HEX HEAD BOLT	[5PCS]
A6.	3/8"X2 1/2" HEX HEAD BOLT	[1PCS]
A7.	3/8"X1 3/4" HEX HEAD BOLT	[5PCS]
A8.	3/8"X1 1/2" HEX HEAD BOLT	[10PCS]
A10.	5/16"X5" HEX HEAD BOLT	[2PCS]
A11.	5/16"X2 3/4" HEX HEAD BOLT	[6PCS]
A12.	STEEL CHAIN	[1PCS]
A13.	10BL PIN	[1PCS]
A14.	7/16"X1 1/2" ROUND BOLT	[1PCS]
A15.	5/16"X1 1/2" ROUND BOLT	[1PCS]
A16.	1/2"X22L SLEEVE	[1PCS]
A17.	1/2"X5 1/2" HEX HEAD BOLT	[1PCS]
B1.	1/2" NYLON LOCK NUT	[14PCS]
B2.	3/8" NYLON LOCK NUT	[23PCS]
B3.	5/8" LOCK NUT	[1PCS]
B4.	5/16" NYLON LOCK NUT	[1PCS]
C1.	1/2" (I.D.)WASHER	[8PCS]
C2.	3/8" (I.D.)WASHER	[9PCS]
C3.	5/16" (I.D.)WASHER	[9PCS]
C4.	5/16" SPRING WASHER	[8PCS]
C5.	1/2" ROUND END CAP WASHER	[4PCS]

