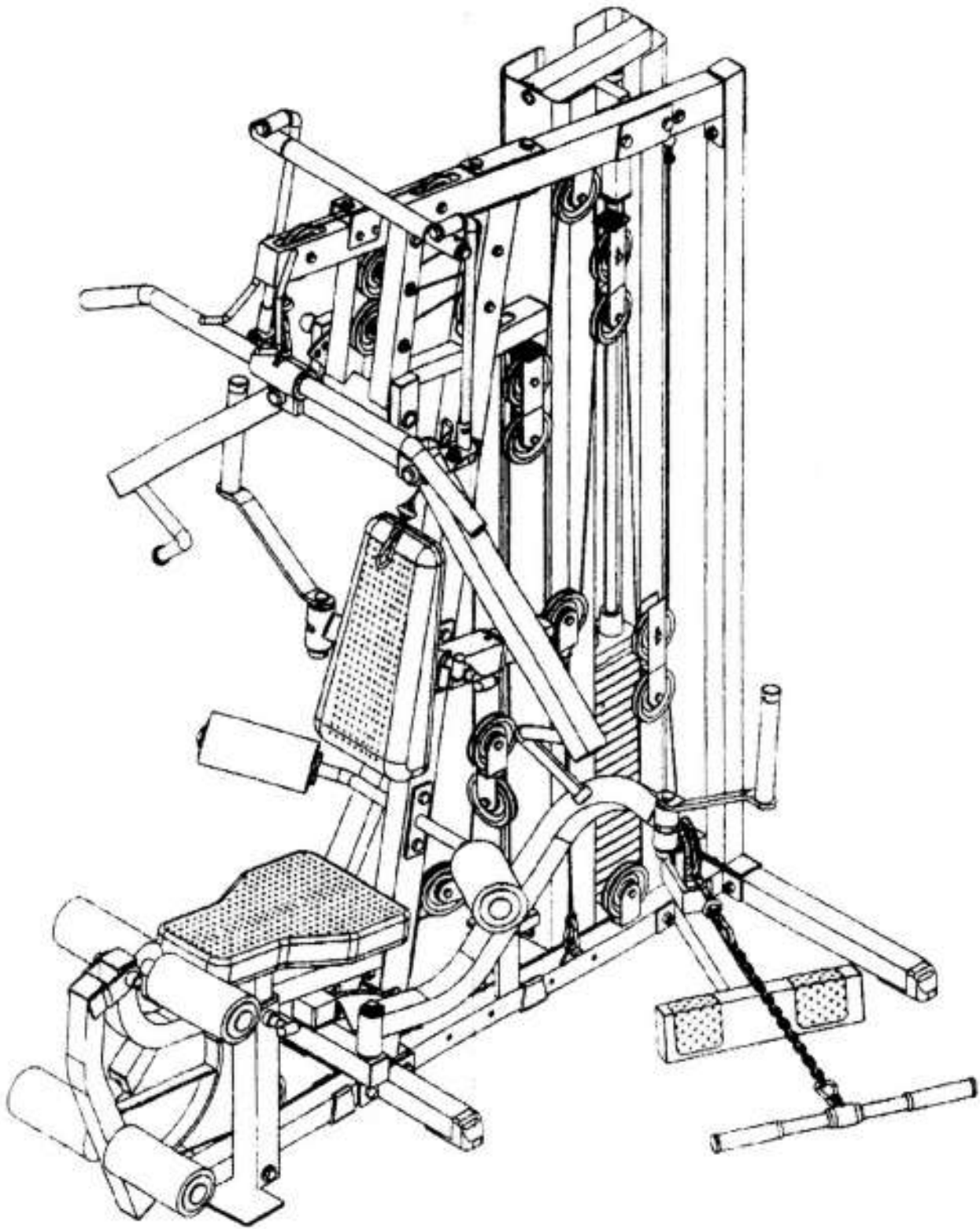


EXM-2750.3



VERSION 0111

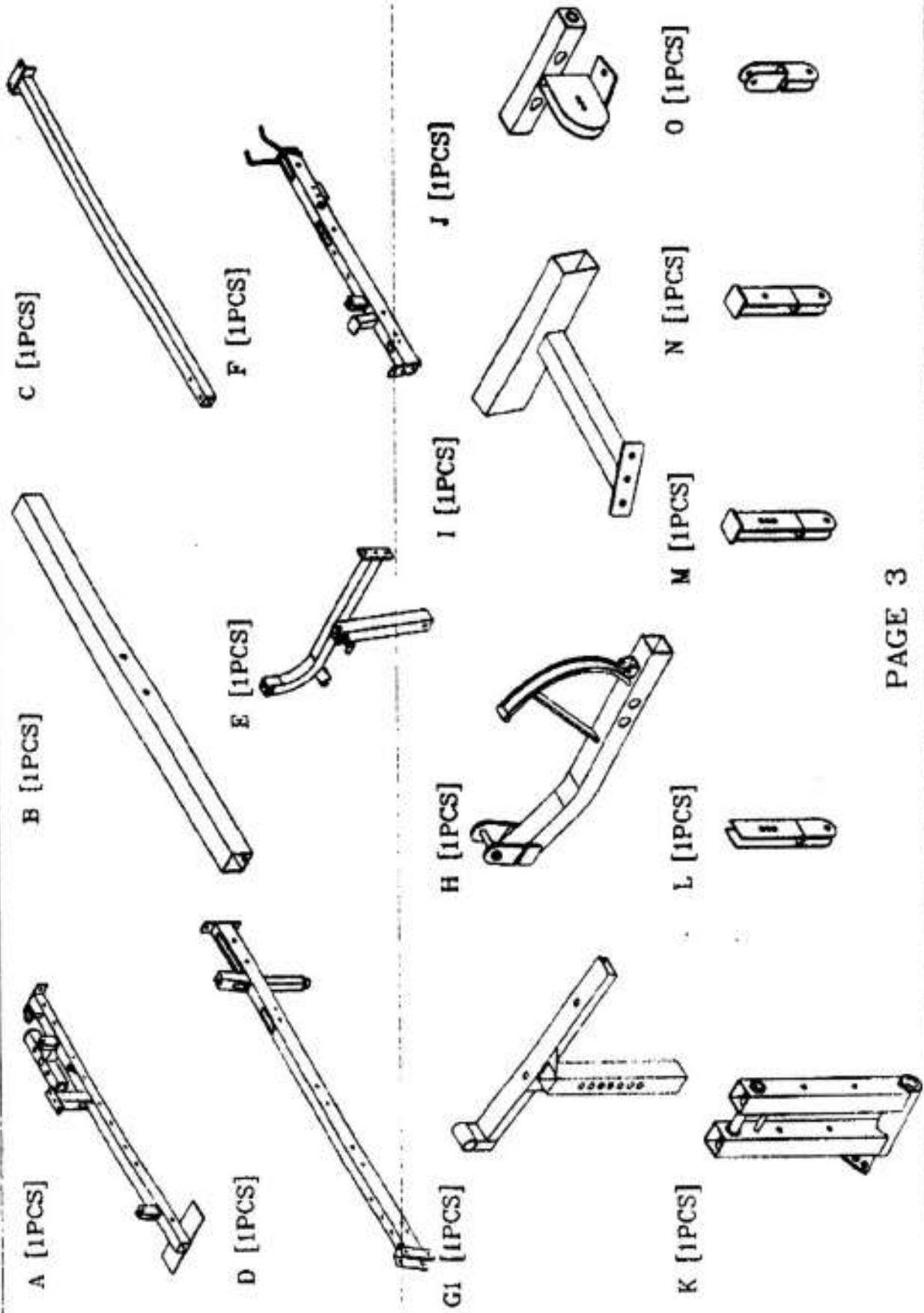
EXM-2750.3 HARDWARE ILLUSTRATION SHEET

Part No.	Description	Qty.	Part No.	Description	Qty.
A1	1/2"x5 1/4" HEX HEAD BOLT	[1PCS]	A5	5/16" SPRING WASHER	[4PCS]
A2	1/2"x4" HEX HEAD BOLT	[4PCS]	A6	3/8" ROUND END CAP WASHER	[2PCS]
A3	1/2"x3 3/4" HEX HEAD BOLT	[1PCS]	A7		
A4	1/2"x3" HEX HEAD BOLT	[13PCS]	A8		
A5	1/2"x2 3/4" HEX HEAD BOLT	[1PCS]	A9		
A6	3/8"x7 1/4" HEX HEAD BOLT	[2PCS]	A10		
A7	3/8"x2 3/4" HEX HEAD BOLT	[8PCS]	A11		
A8	3/8"x1 1/2" HEX HEAD BOLT	[16PCS]	A12		
A9	3/8"x1" HEX HEAD BOLT	[2PCS]	A13		
A10	3/8"x1/2" HEX HEAD BOLT	[1PCS]	A14		
A11	5/16"x1 3/4" HEX HEAD BOLT	[4PCS]	A15		
A12	5/16"x3/8" SET SCREW	[3PCS]	A16		
A13	5/16"x1 1/2" ROUND BOLT	[3PCS]	A17		
A14	7/16"x1 1/2" ROUND BOLT	[1PCS]	A18		
A15	5/8" ROUND BOLT	[1PCS]	A19		
A16	10BL PIN	[1PCS]	A20		
A17	STEEL CHAIN	[1PCS]	B1		
A18	1/2"x22 SLEEVE	[3PCS]	B2		
A19	1/2"x3 1/2" HEX HEAD BOLT	[2PCS]	B3		
A20	1/2" NYLON LOCK NUT	[20PCS]	B4		
B1	3/8" NYLON LOCK NUT	[28PCS]	C1		
B2	5/16" NYLON LOCK NUT	[3PCS]	C2		
B3	5/8" LOCK NUT	[1PCS]	C3		
B4	1/2" (I.D.) WASHER	[7PCS]	C4		
C1	3/8" (I.D.) WASHER	[7PCS]	C5		
C2	5/16" (I.D.) WASHER	[4PCS]	C6		
C3	5/8" SPRING WASHER	[1PCS]			

EXM-2750.3 HARDWARE ILLUSTRATION SHEET

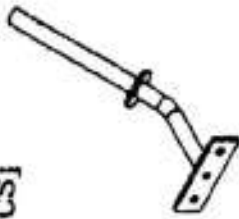
	Qty.		Qty.
D1. 50X75 END CAP (9211-012)	[1PCS]	D1	[1PCS]
D2. 2"X2"X1.8L END CAP (9211-006)	[3PCS]	D2	[1PCS]
D3. 2"X2"X2.5L END CAP (9211-008)	[12PCS]	D3	[1PCS]
D4. 1"X2" END CAP (9211-009)	[6PCS]	D4	[1PCS]
D5. 50X50X2.5 FOOT CAP (9211-025)	[4PCS]	D5	
D6. 2"X2" RUBBER DOUNT (9212-010)	[2PCS]	D6	
D7. #1" ROUND END CAP (9211-016)	[4PCS]	D7	
D8. #1" ROUND END CAP (8341-033)	[6PCS]	D8	
D9. 2"X2" RUBBER DOUNT (9310-020)	[1PCS]	D9	
D10. #10.5 STEEL BUSHING (8530-009)	[10PCS]	D10	
D11. 38X38mm RUBBER PAD (9310-001)	[2PCS]	D11	
D12. 2"X2" RUBBER CANE CAP (9214-002)	[2PCS]	D12	
D13. #5/8" STEEL BUSHING (8110-011)	[4PCS]	D13	
D14. #3/4" SHAFT COLLAR (9211-046)	[2PCS]	D14	
D15. #6" RUBBER GRIP (9212-016)	[2PCS]	D15	
D16. #110 PULLEY (9213-002)	[23PCS]	D16	
D17. TOP PLATE (8400-004)	[1PCS]	D17	
D18. #8 SPRING SNAP LINK (8810-001)	[5PCS]	D18	
D19. ROUND END CAP (9212-024)	[2PCS]	D19	
D20. #4"X23X8" FOAM ROLLER (9161-009)	[6PCS]	D20	
D21. #3" NYLON WASHER (9214-008)	[6PCS]	D21	
D22. WEIGHT SELECTOR BAR (8220-060)	[1PCS]	D22	
D23. 2"X4" END CAP (9211-014)	[2PCS]	D23	
D24. #3/4"X8L STEEL BUSHING (8110-014)	[6PCS]	D24	
D25. #2 1/2" RUBBER DOUNT (9310-010)	[2PCS]	D25	
D26. 95X140mm NO SLIP TAPEL (9630-003)	[2PCS]	D26	
D27. #1" CU WASHER (8520-008)	[2PCS]	D27	
D28. 60X50 NYLON BUSHING (9211-033)	[2PCS]	D28	
D29. 60X45 NYLON BUSHING (9211-047)	[1PCS]	D29	
D30. #1" SHAFT COLLAR (8130-024)	[2PCS]	D30	
D31. CABLE SHAFT (8220-073)	[1PCS]	D31	
D32. #5/8" ROUND END CAP (9211-015)	[2PCS]	D32	
D33. 4270mm STEEL CABLE	[1PCS]	D33	
D34. 4820mm STEEL CABLE	[1PCS]	D34	

EXM-2750.3 PARTS ILLUSTRATION SHEET



EXM -2750.3 PARTS ILLUSTRATION SHEET

P [1PCS]



Q [1PCS]



R [1PCS]



S [1PCS]



T [1PCS]



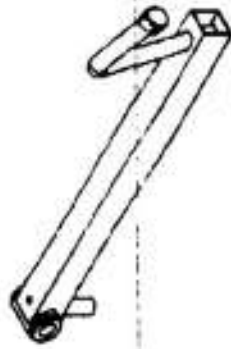
U [2PCS]



V [1PCS]



W [1PCS]



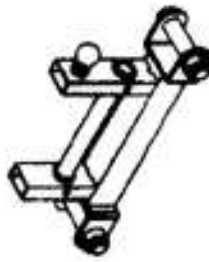
X [2PCS]



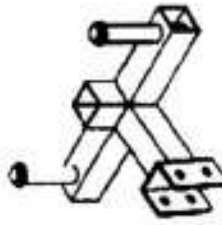
Y [2PCS]



AA [1PCS]



AB-1 [1PCS]



AC [1PCS]



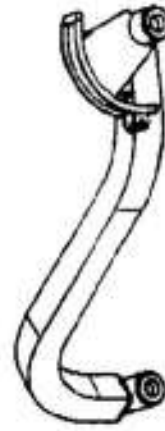
AD [1PCS]



AE [1PCS]



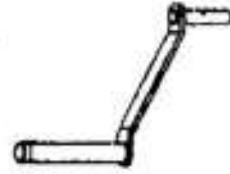
AF-1 [1PCS]



AG-1 [1PCS]



AH [1PCS]



AI [1PCS]



EXM-2750.3 PARTS ILLUSTRATION SHEET

AJ [1PCS]



AK [1PCS]



AL [1PCS]



AM [2PCS]
ø1" X 475L



AN [2PCS]
50X6TX150L



AO [1PCS]
50X6TX170L



AP [1PCS]
75X6TX150L



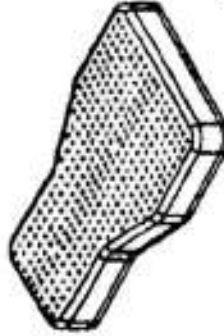
AQ [2PCS]



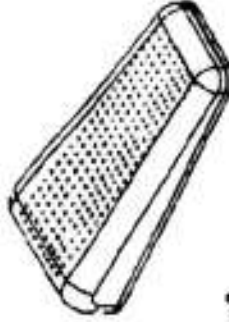
AS [2PCS]



AT [1PCS]



AU [1PCS]



AX [1PCS]

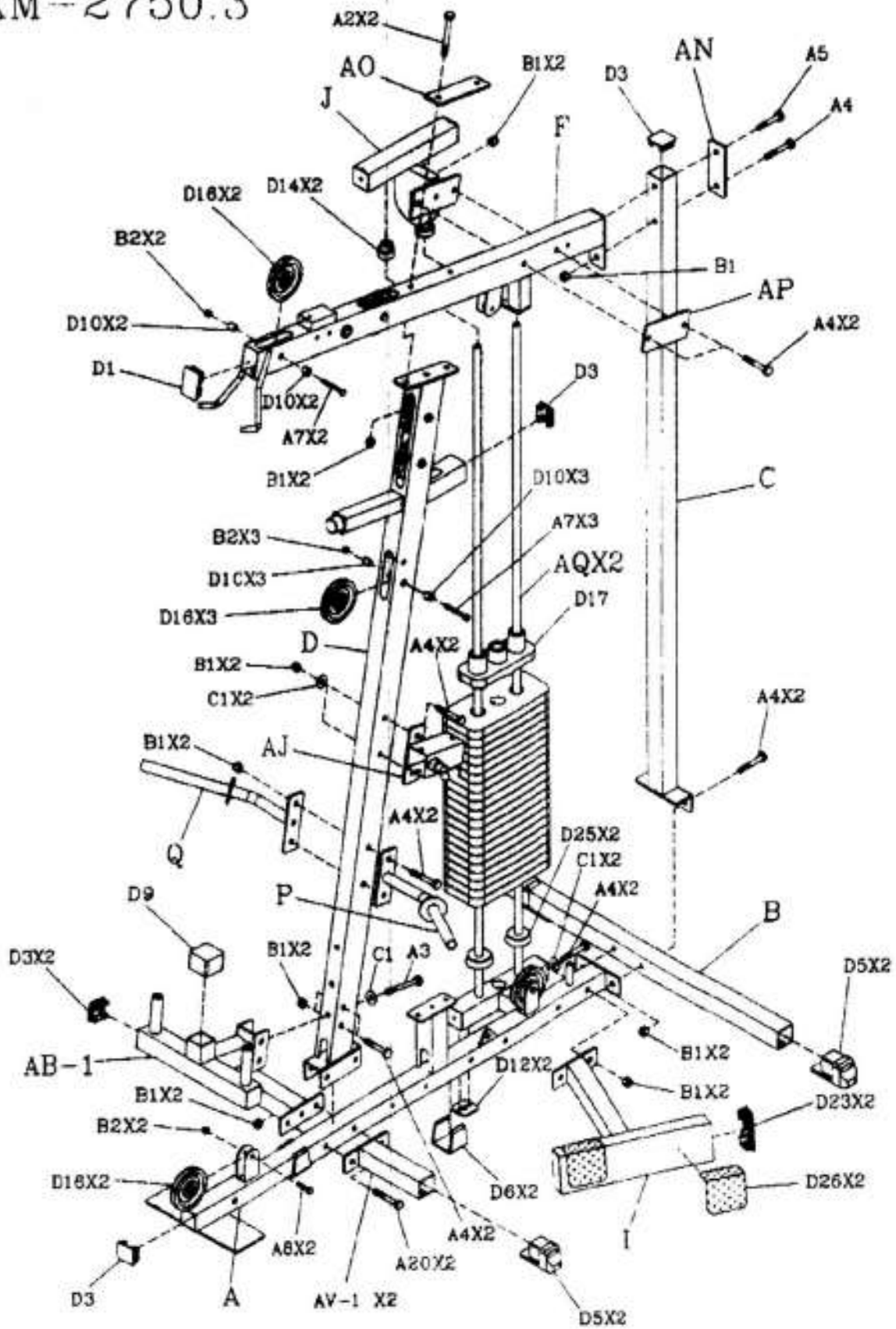


AY [1PCS]



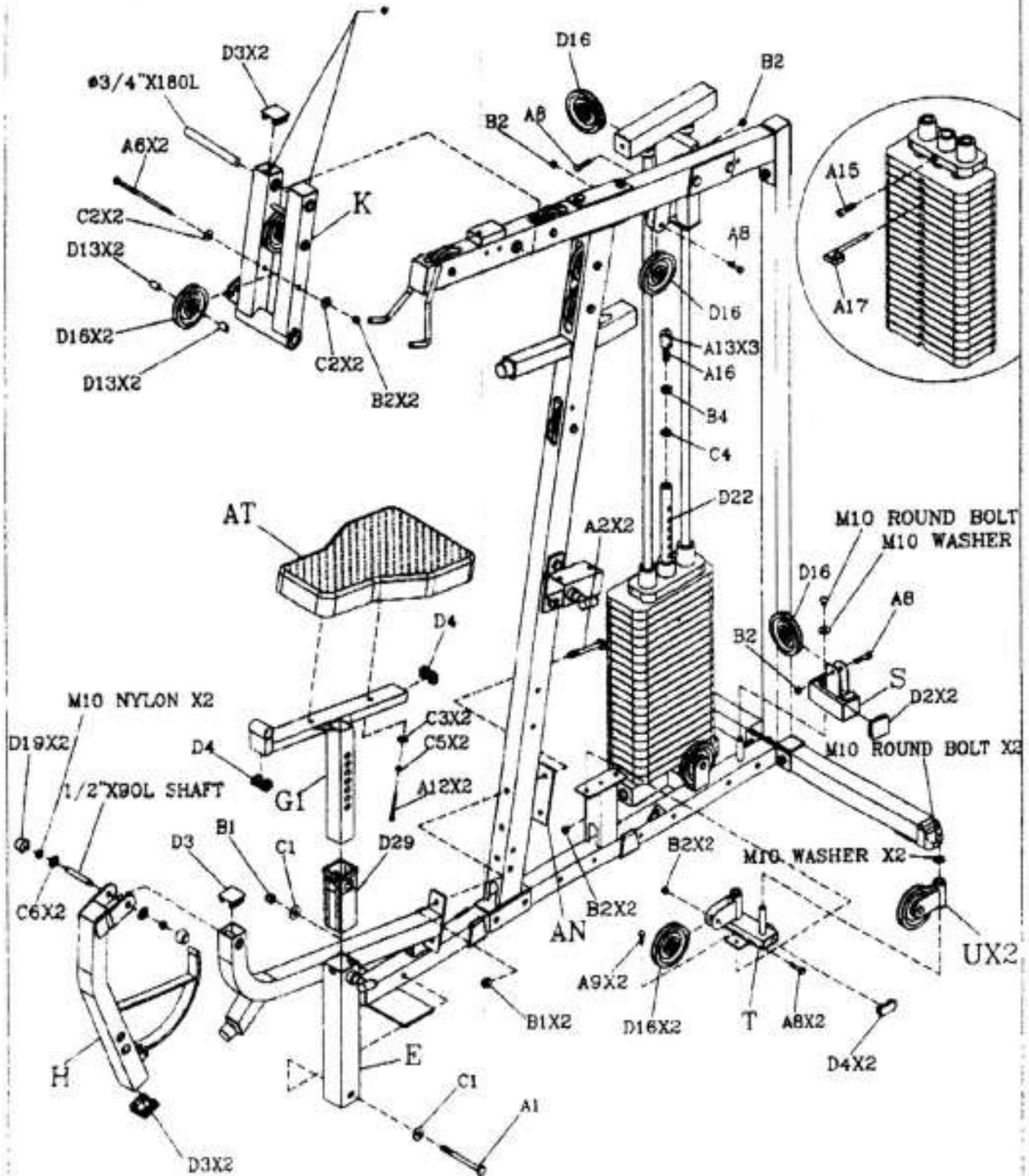
AV-1 [2PCS]





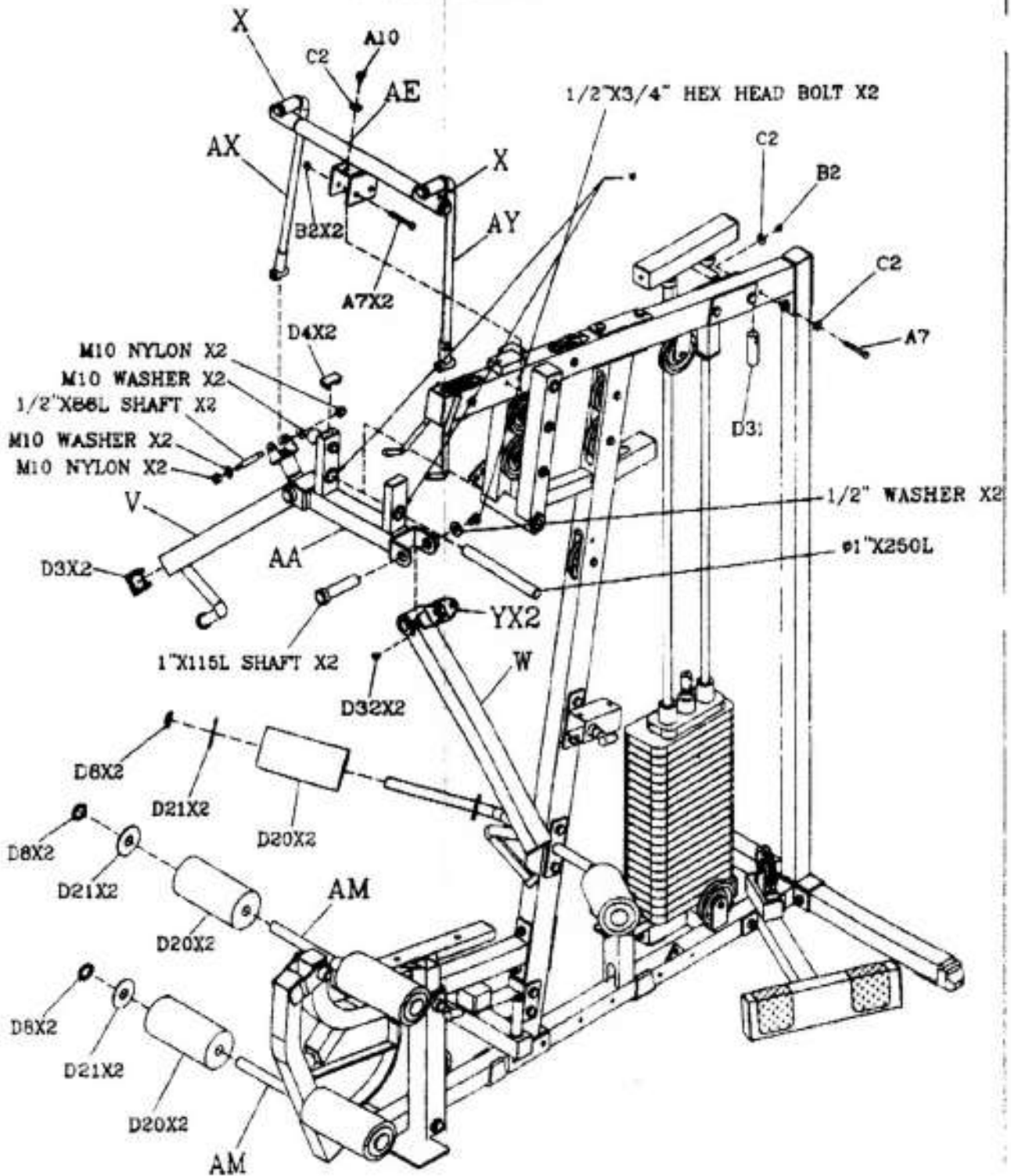
EXM-2750.3

* NEED TO LOOSEN BOTH ALLEN HEAD BOLT
IN ORDER TO REMOVE SHAFT



EXM-2750.3

* : NEED TO LOOSEN BOTH ALLEN HEAD BOLT
IN ORDER TO REMOVE SHAFT

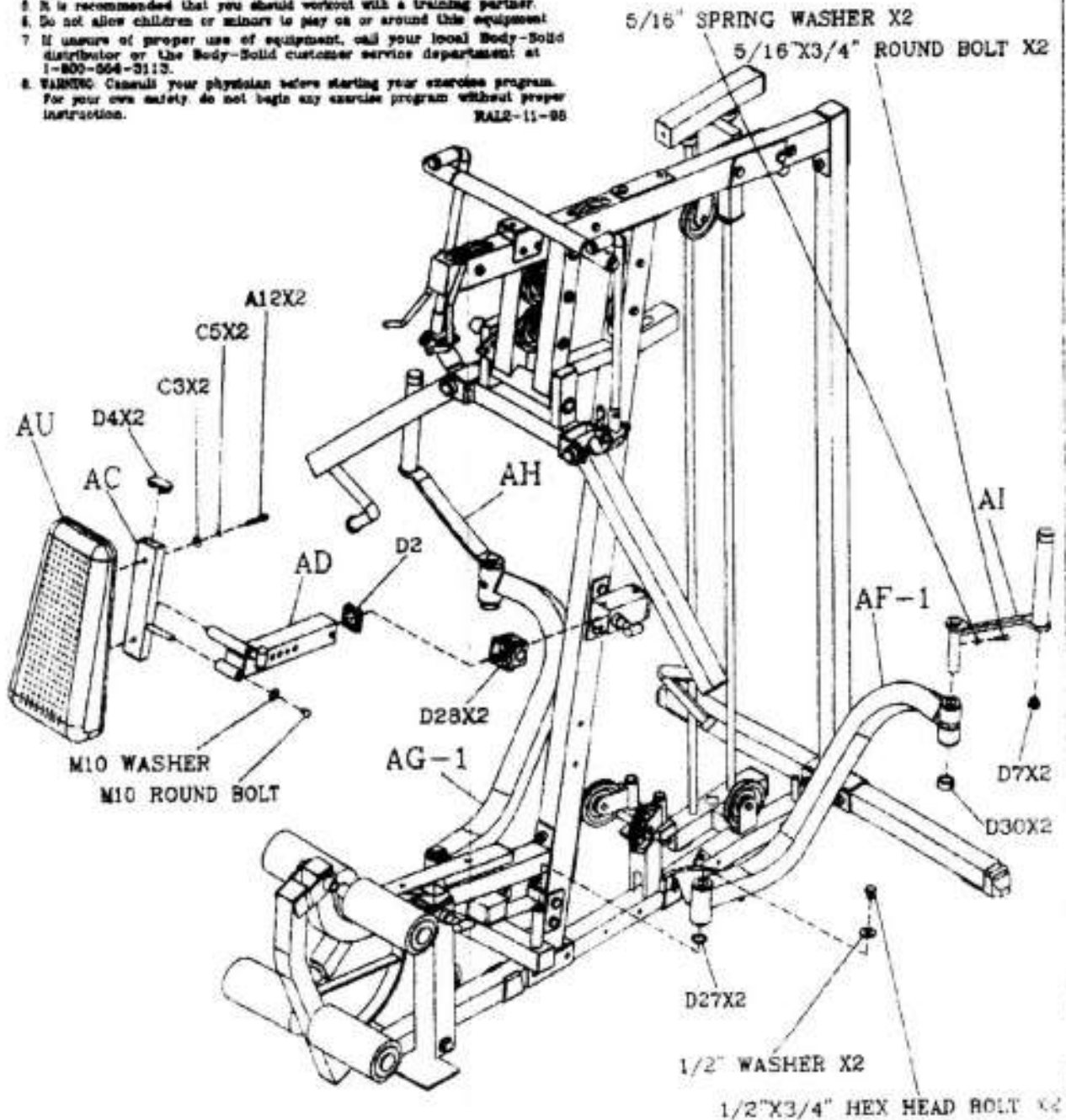


EXM-2750.3

THERE IS A RISK ASSUMED BY INDIVIDUALS WHO USE THIS TYPE OF EQUIPMENT. TO MINIMIZE RISK, YOU MUST FOLLOW THESE RULES:

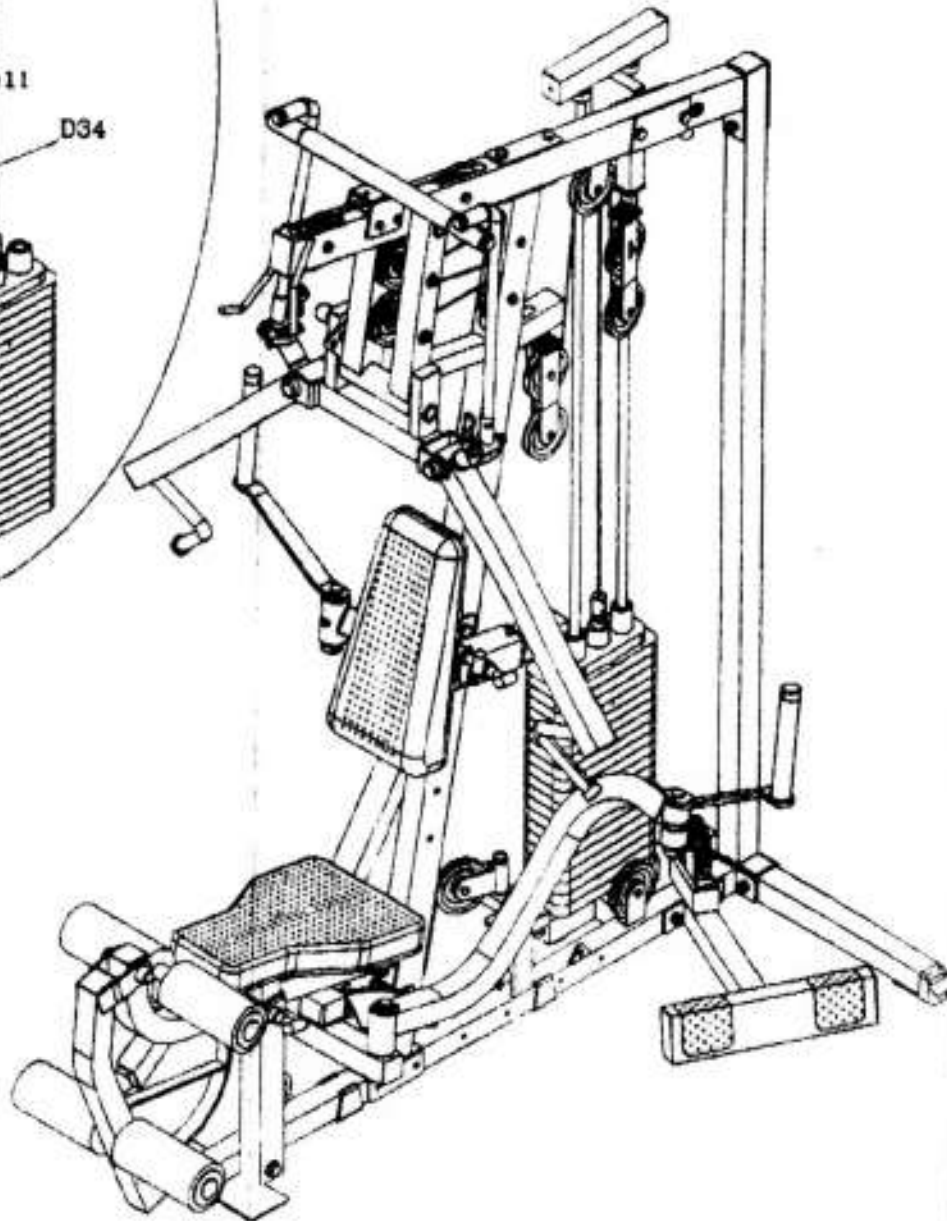
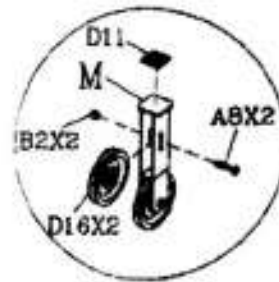
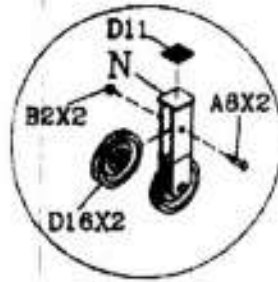
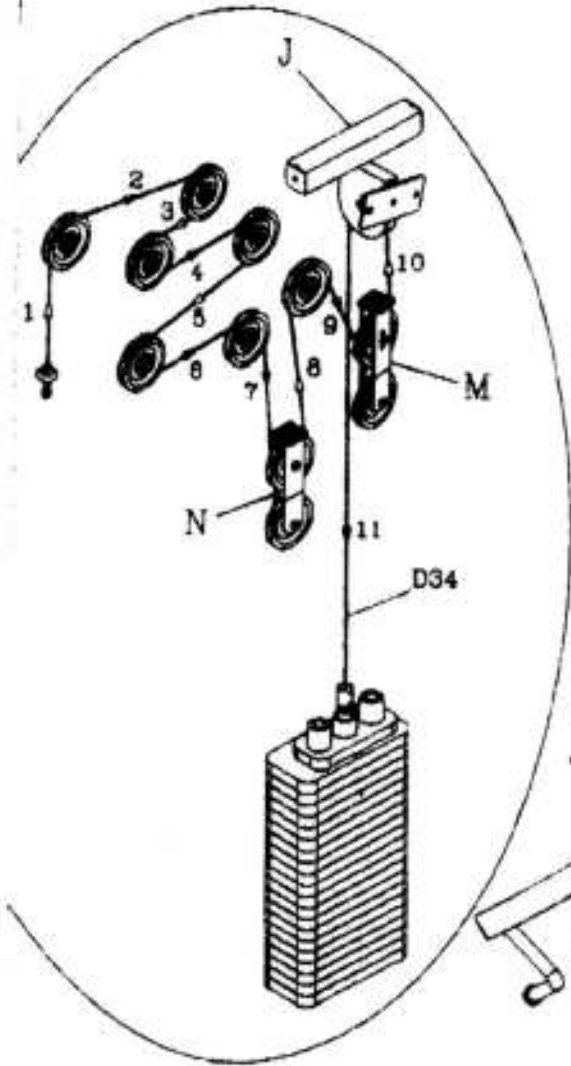
1. Inspect equipment before each workout. Check that all nuts, bolts, screws and pop pins are in place and fully tightened. Also, before use, check cables for signs of wear. Replace all worn parts immediately. Never use machine if any parts are damaged or missing. Failure to follow these rules may result in serious injury.
2. Keep clear of the cables and all moving parts when the machine is in use.
3. Always make sure all snap links are closed when doing any cable/pulley exercises.
4. Exercise with care. Perform your exercises at a smooth moderate pace, never perform jerky or uncoordinated movements that may cause injury.
5. It is recommended that you should workout with a training partner.
6. Do not allow children or minors to play on or around this equipment.
7. If unsure of proper use of equipment, call your local Body-Solid distributor or the Body-Solid customer service department at 1-800-564-3113.
8. **WARNING:** Consult your physician before starting your exercise program. For your own safety, do not begin any exercise program without proper instruction.

RA12-11-95



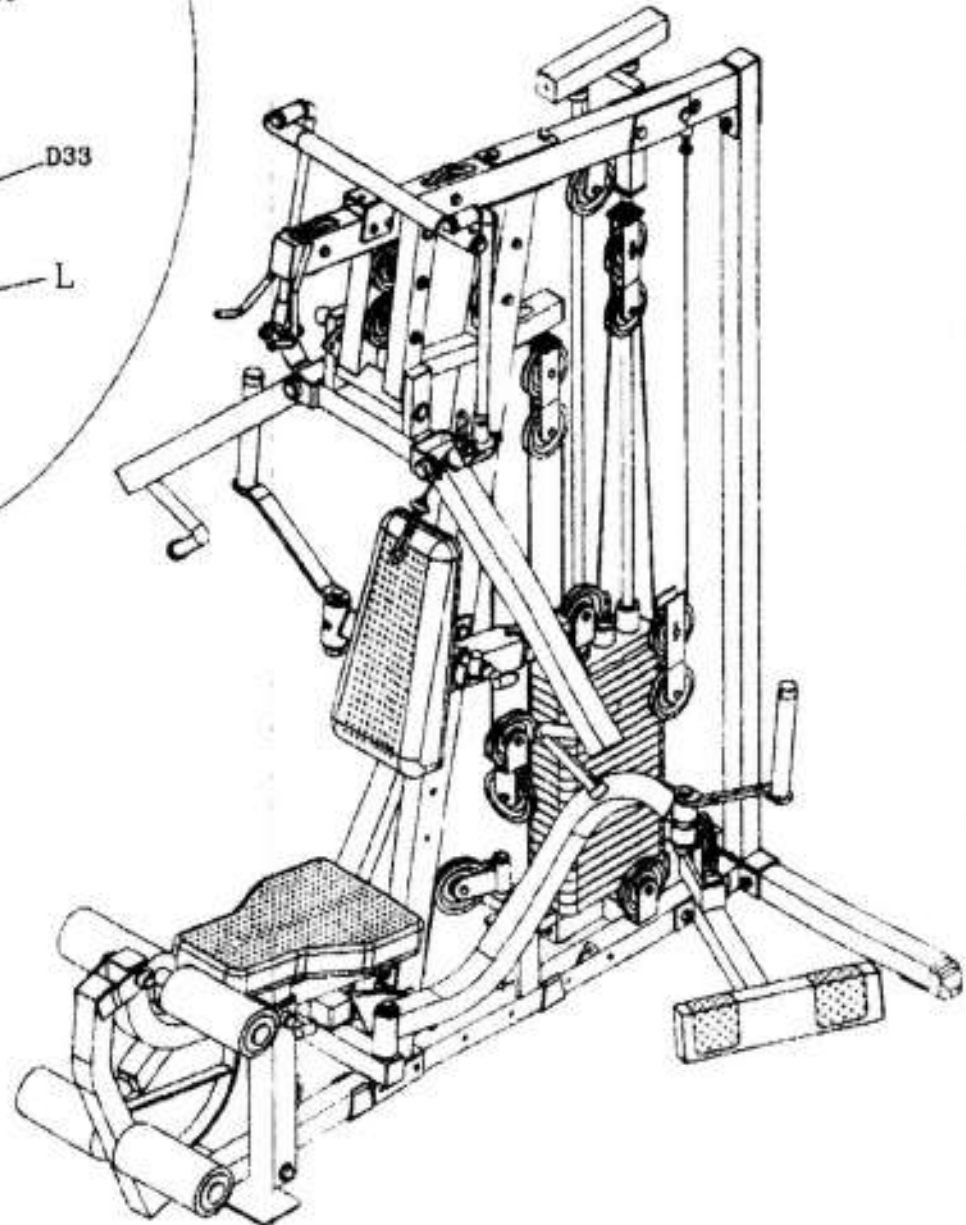
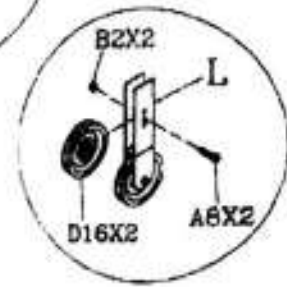
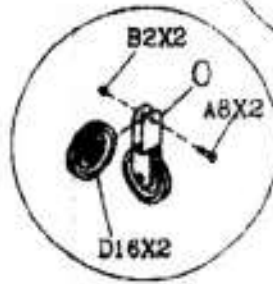
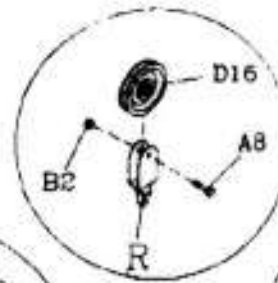
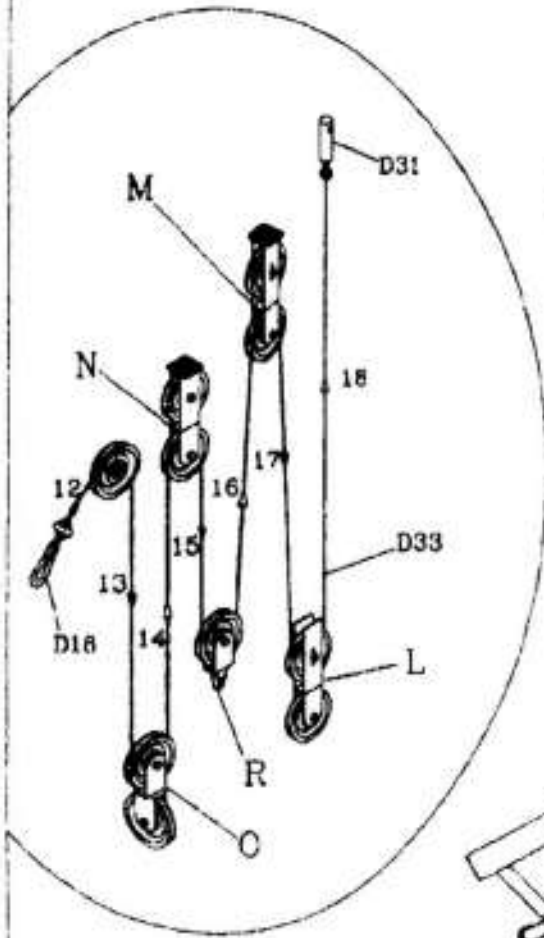
EXM-2750.3

D34



EXM-2750.3

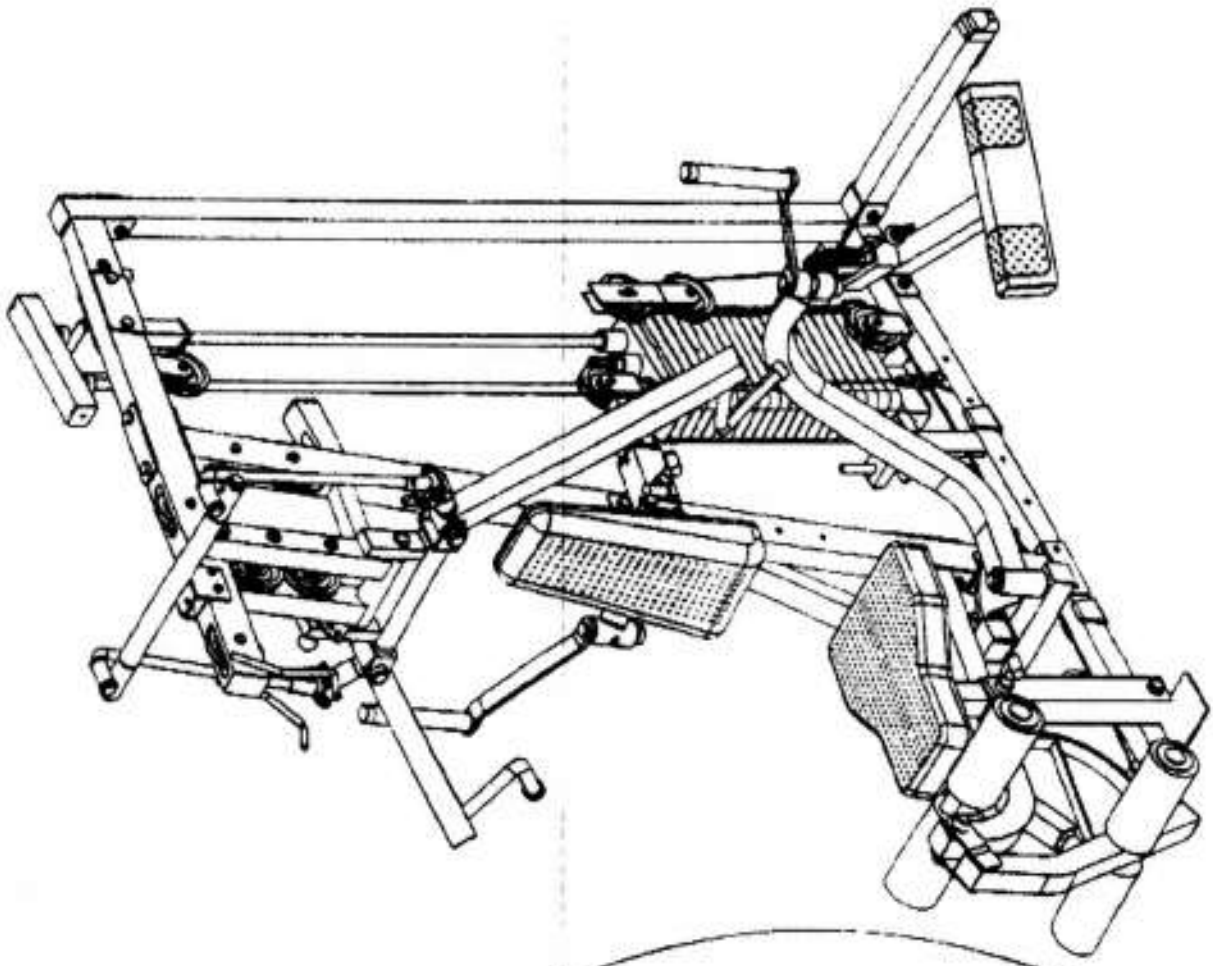
D33



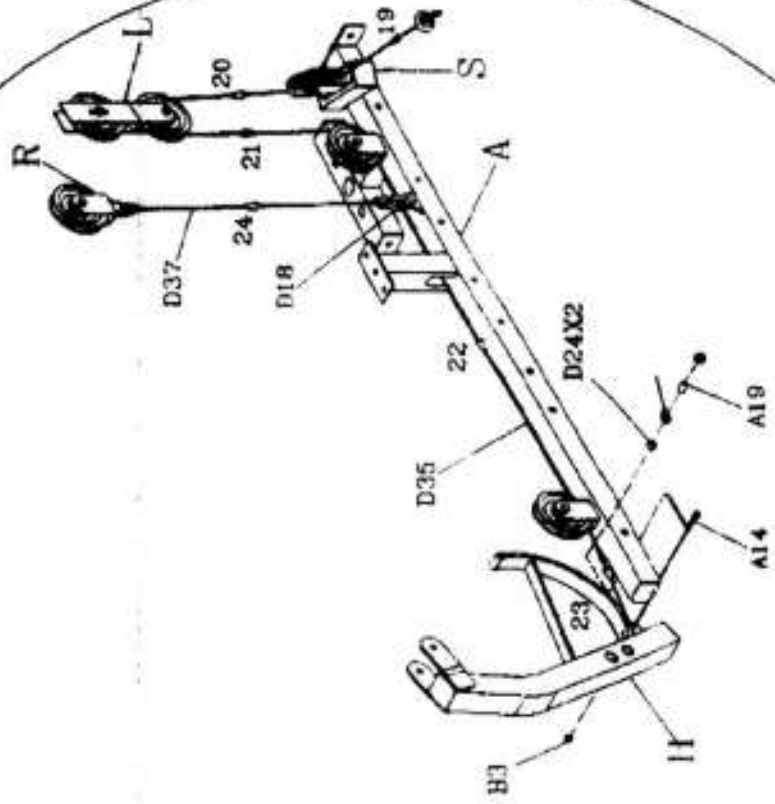
EXM-2750.3

D35

D37



PAGE 12



EXM-2750.3

D36 

M10 ROUND BOLT X4

M10 WASHER X4

ASX2

D36

28

27

25

28

B3X2

D24X2

A19X2

D24X2

A14X2

