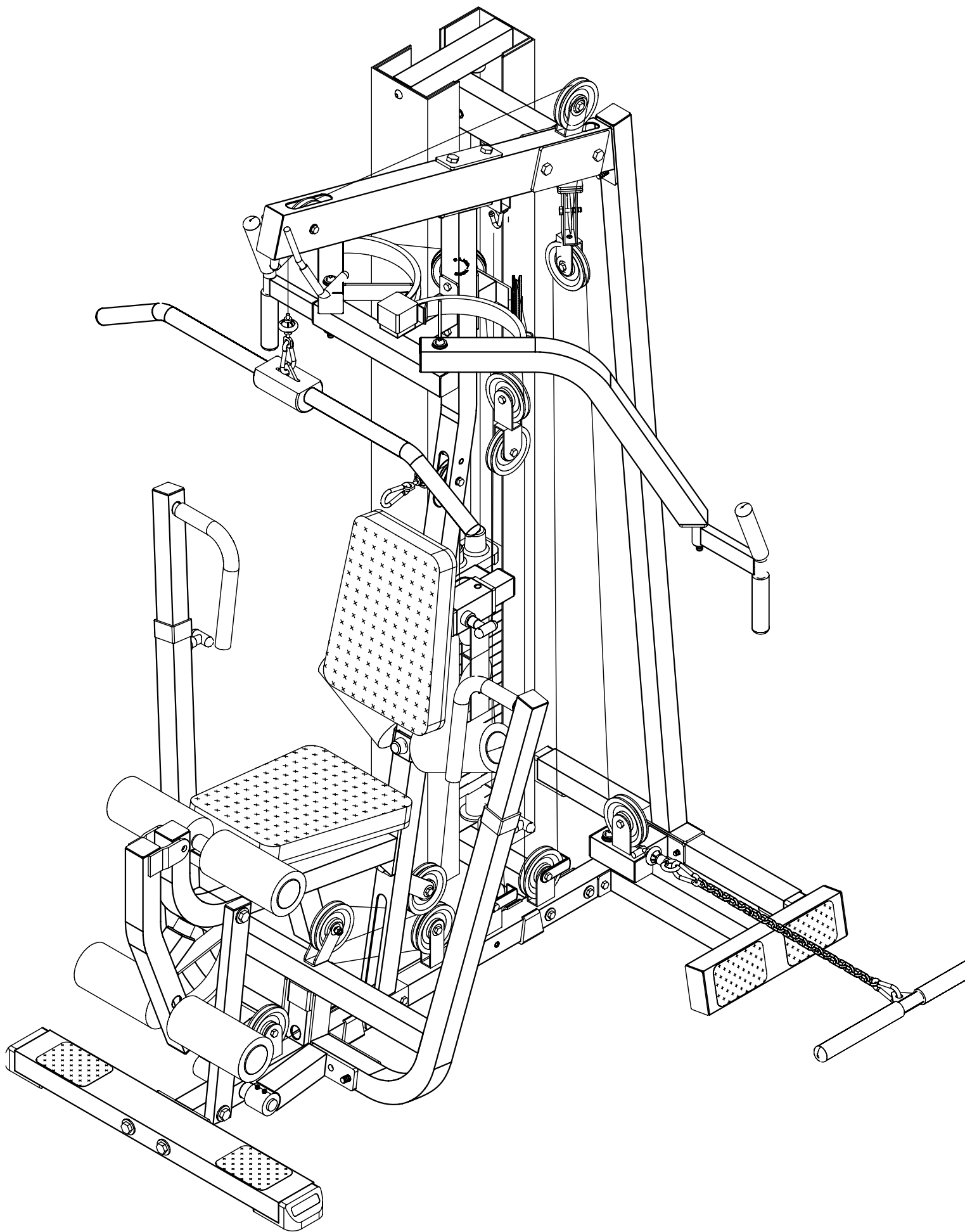


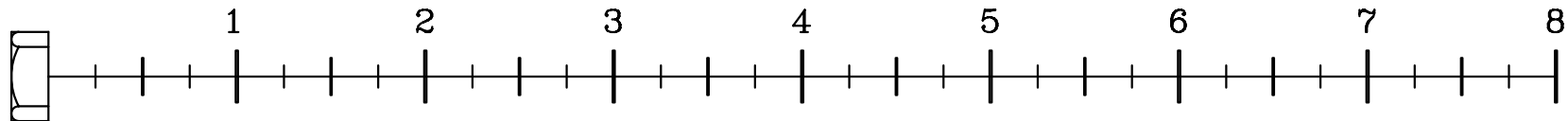
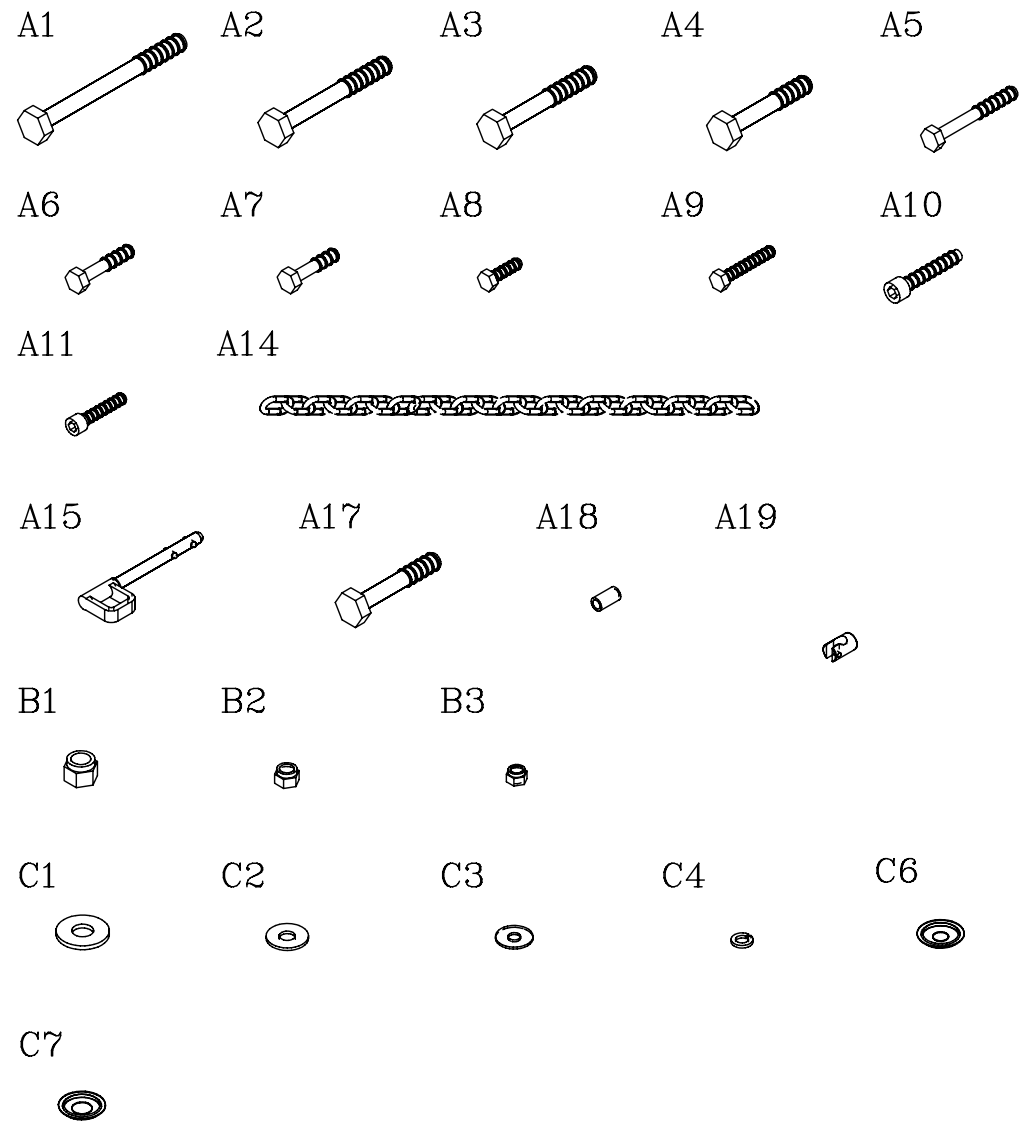
EXM-2000.5



VERSION 1104

EXM-2000.5 HARDWARE ILLUSTRATION SHEET

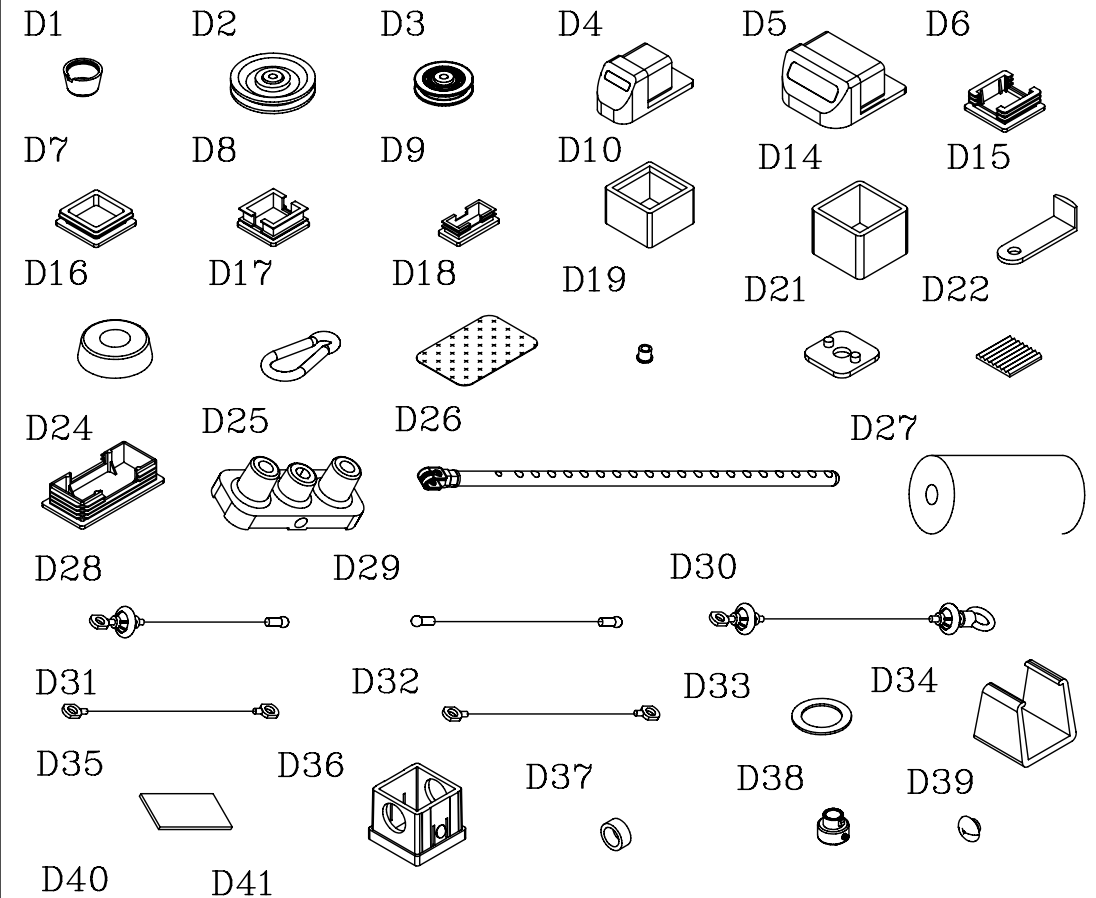
	Qty.
A1. 1/2"X5" HEX HEAD BOLT -----	[4PCS]
A2. 1/2"X3 3/4" HEX HEAD BOLT -----	[2PCS]
A3. 1/2"X3 1/4" HEX HEAD BOLT -----	[2PCS]
A4. 1/2"X2 3/4" HEX HEAD BOLT -----	[1PCS]
A5. 3/8"X2 3/4" HEX HEAD BOLT -----	[16PCS]
A6. 3/8"X1 3/4" HEX HEAD BOLT -----	[6PCS]
A7. 3/8"X1 1/2" HEX HEAD BOLT -----	[12PCS]
A8. 5/16"X1" HEX HEAD BOLT -----	[4PCS]
A9. 5/16"X1 3/4" HEX HEAD BOLT -----	[2PCS]
A10. 3/8"X2" ROUND BOLT -----	[1PCS]
A11. 5/16"X1 1/2" ROUND BOLT -----	[2PCS]
A14. STEEL CHAIN -----	[1PCS]
A15. 10LB PIN -----	[1PCS]
A17. 1/2"X3" HEX HEAD BOLT -----	[8PCS]
A18. ø1/2"X22L SLEEVE -----	[2PCS]
A19. ø12 BUSHING (8890-010) -----	[1PCS]
B1. 1/2" NYLON LOCK NUT -----	[14PCS]
B2. 3/8" NYLON LOCK NUT -----	[34PCS]
B3. 5/16" NYLON LOCK NUT -----	[2PCS]
C1. 1/2" (I.D)WASHER -----	[10PCS]
C2. 3/8" (I.D)WASHER -----	[10PCS]
C3. 5/16" (I.D)WASHER -----	[6PCS]
C4. 5/16" SPRING WASHER -----	[6PCS]
C6. 3/8" ROUND END CAP WASHER -----	[2PCS]
C7. 1/2" ROUND END CAP WASHER -----	[2PCS]



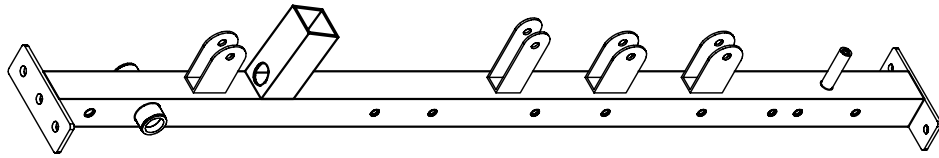
EXM-2000.5 HARDWARE ILLUSTRATION SHEET

	Qty.
D1. 1/2" BOLT CAP(9212-024)-----	[4PCS]
D2. ø4 1/4" PULLEY (9213-002C)-----	[20PCS]
D3. ø3" PULLEY (9213-006B)-----	[1PCS]
D4. 2"X2" FOOT CAP (9211-024)-----	[2PCS]
D5. 2"X4" FOOT CAP (9211-028)-----	[2PCS]
D6. 2"X2"X2.5t END CAP (9211-006)-----	[8PCS]
D7. 2"X2"X1.8t END CAP (9211-005)-----	[3PCS]
D8. 1 3/4"X1 3/4" END CAP (9211-004)-----	[4PCS]
D9. 1"X2" END CAP (9211-009)-----	[3PCS]
D10. 50X45 NYLON BUSHING (9211-030)-----	[2PCS]
D14. 2"X2" RUBBER DOUNT (9310-020)-----	[2PCS]
D15. PULLEY WHEEL BLOCK (8331-017)-----	[4PCS]
D16. ø2 1/2" RUBBER DOUNT (9310-010)-----	[2PCS]
D17. ø8 SPRING SNAP LINK (8810-001)-----	[4PCS]
D18. 95X140mm NO-SLIP TAPE (9310-035)-----	[4PCS]
D19. ø16X16 STEEL BUSHING (8530-009)-----	[8PCS]
D21. 2"X2" RUBBER CANE CAP (9214-002)-----	[2PCS]
D22. 38X38 RUBBER PAD (9310-001)-----	[3PCS]
D24. 2"X4" END CAP (9211-014)-----	[4PCS]
D25. TOP PLATE (8400-005)-----	[1PCS]
D26. WEIGHT SELECTOR BAR (8210-042A)-----	[1PCS]
D27. ø4"X8" FOAM ROLLER (9161-009)-----	[6PCS]
D28. 3260mm STEEL CABLE -----	[1PCS]
D29. 1850mm STEEL CABLE -----	[1PCS]
D30. 5035mm STEEL CABLE -----	[1PCS]
D31. 3425mm STEEL CABLE -----	[1PCS]
D32. 1470mm STEEL CABLE -----	[1PCS]

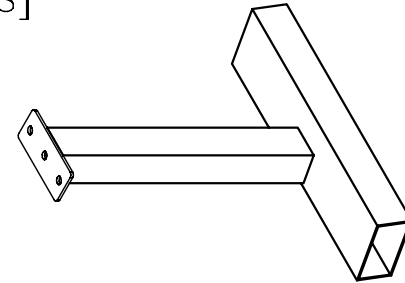
D33. CU WASHER (8520-008)-----	[2PCS]
D34. 2"X2" RUBBER DOUNT (9212-010)-----	[2PCS]
D35. 40X3tX75L TWO-SIDED TAPE (9190-003)---	[8PCS]
D36. 60X45 NYLON BUSHING (9211-032)-----	[2PCS]
D37. ø3/4"X8L STEEL BUSHING (8110-014)----	[4PCS]
D38. ø3/4" SHAFT COLLAR (9211-046)-----	[2PCS]
D39. ø1" ROUND END CAP (9260-021)-----	[8PCS]
D40. ø1" ROUND END CAP (9211-022)-----	[4PCS]
D41. ø1" ROUND END CAP (9211-085)-----	[2PCS]



A-1 [1PCS]



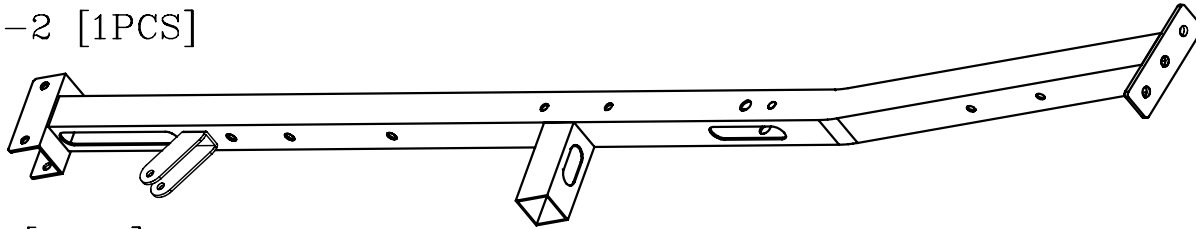
G [1PCS]



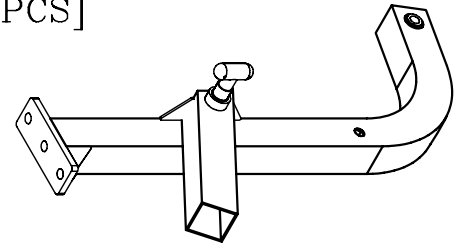
H [1PCS]



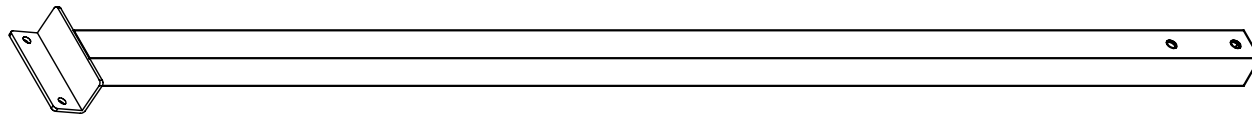
B-2 [1PCS]



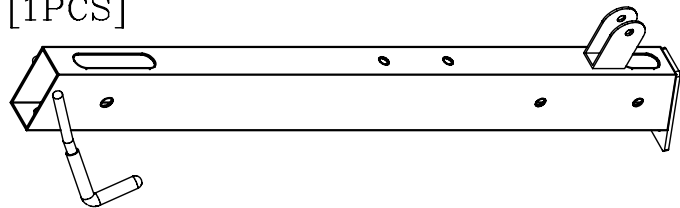
I1 [1PCS]



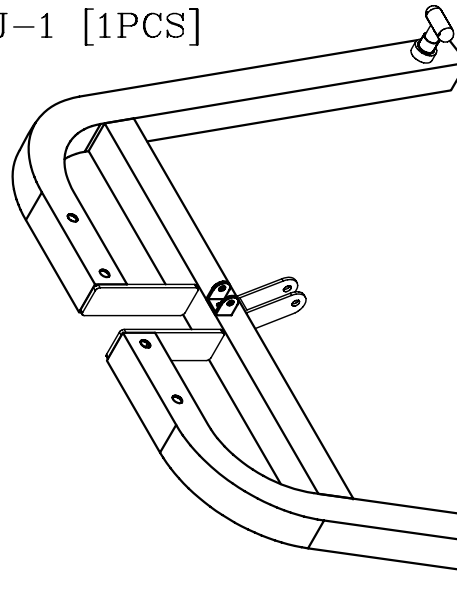
C [1PCS]



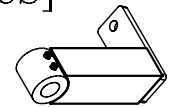
D [1PCS]



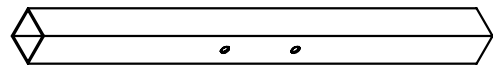
J-1 [1PCS]



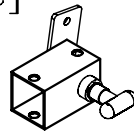
K [1PCS]



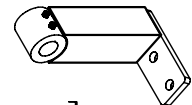
E [1PCS]



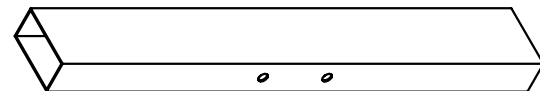
AM [1PCS]



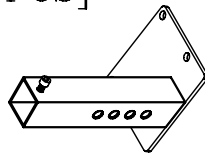
L [1PCS]



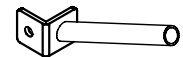
F [1PCS]



AN [1PCS]

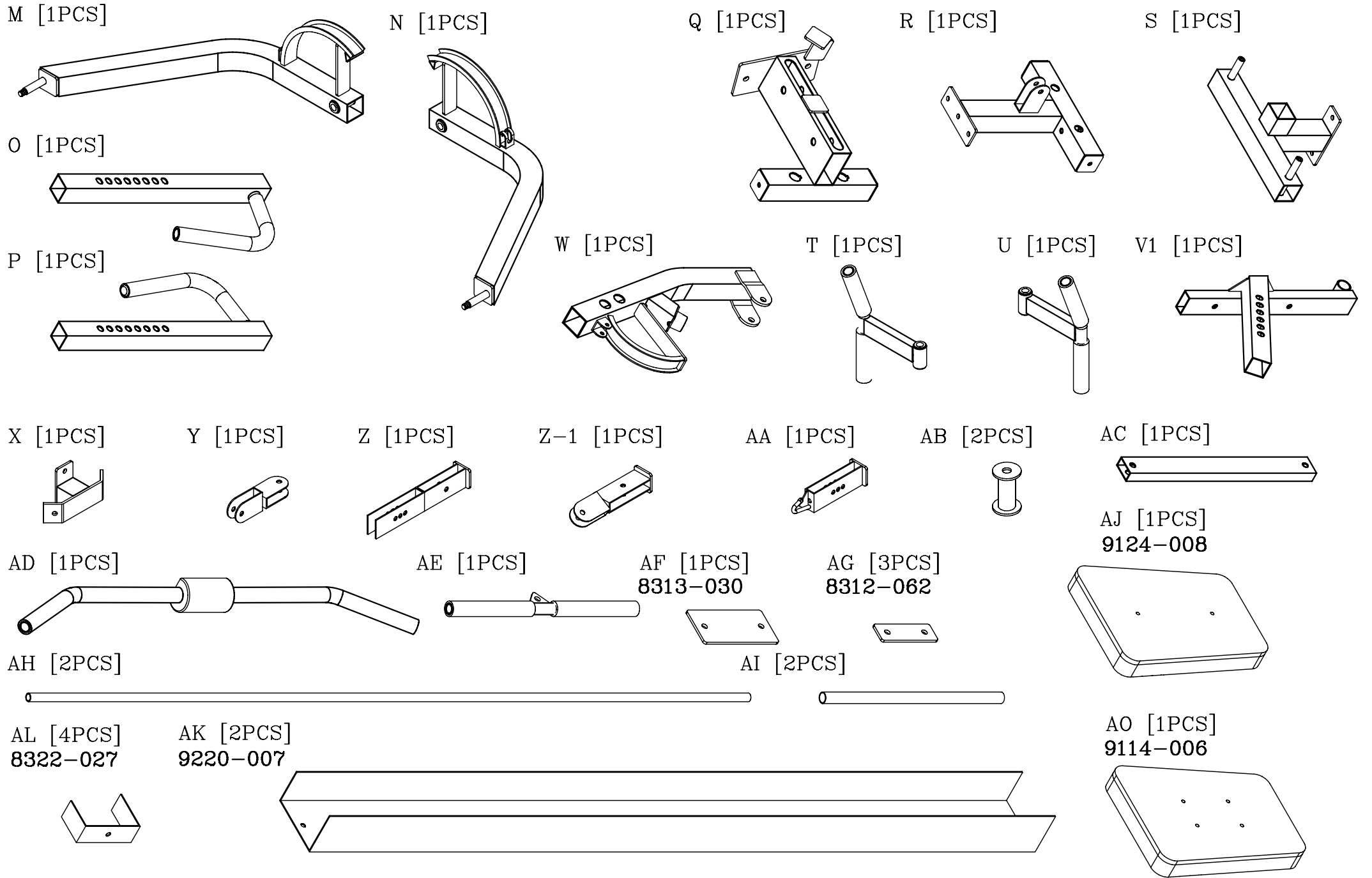


AP [2PCS]

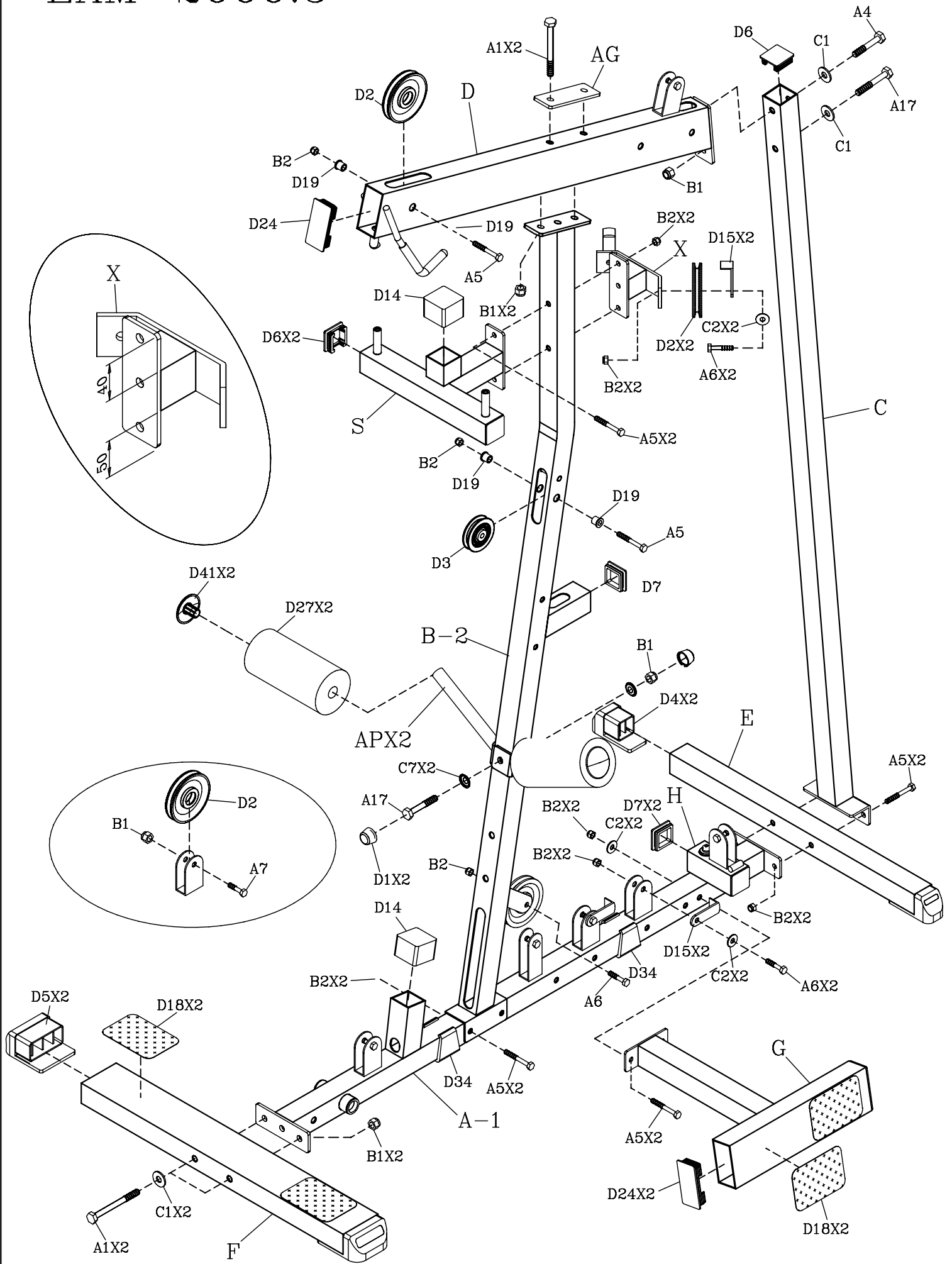


EXM-2000.5

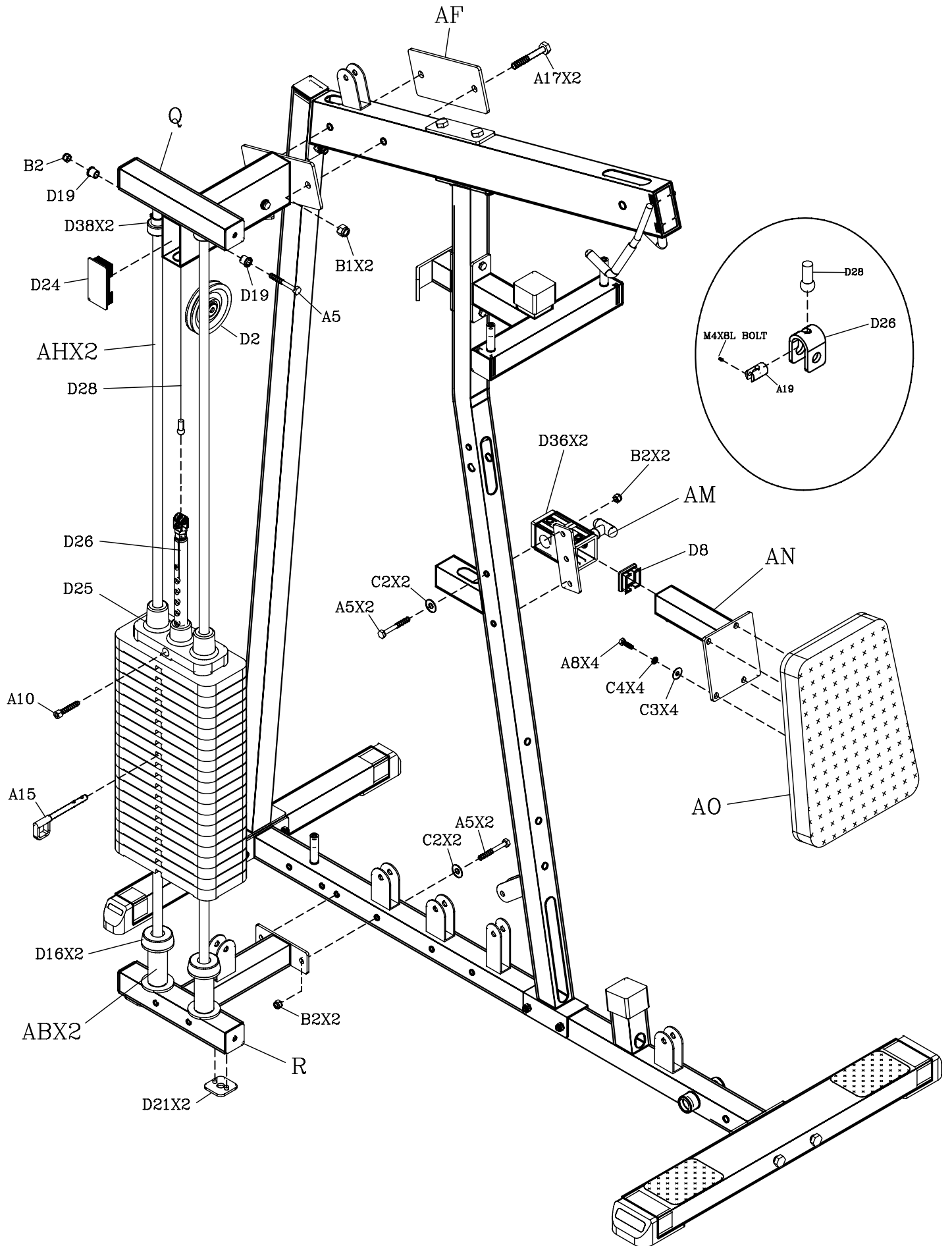
PARTS ILLUSTRATION SHEET



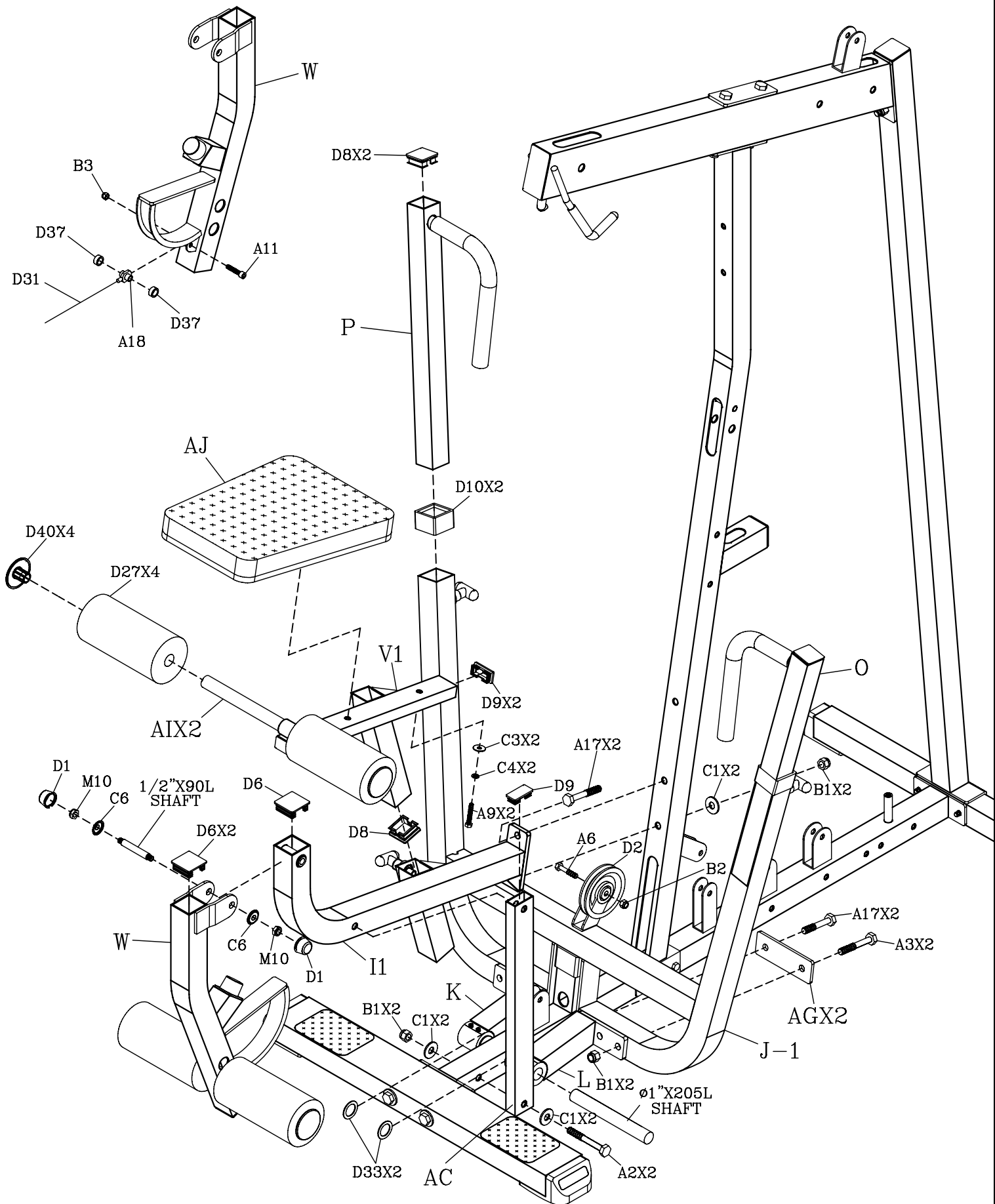
EXM-2000.5



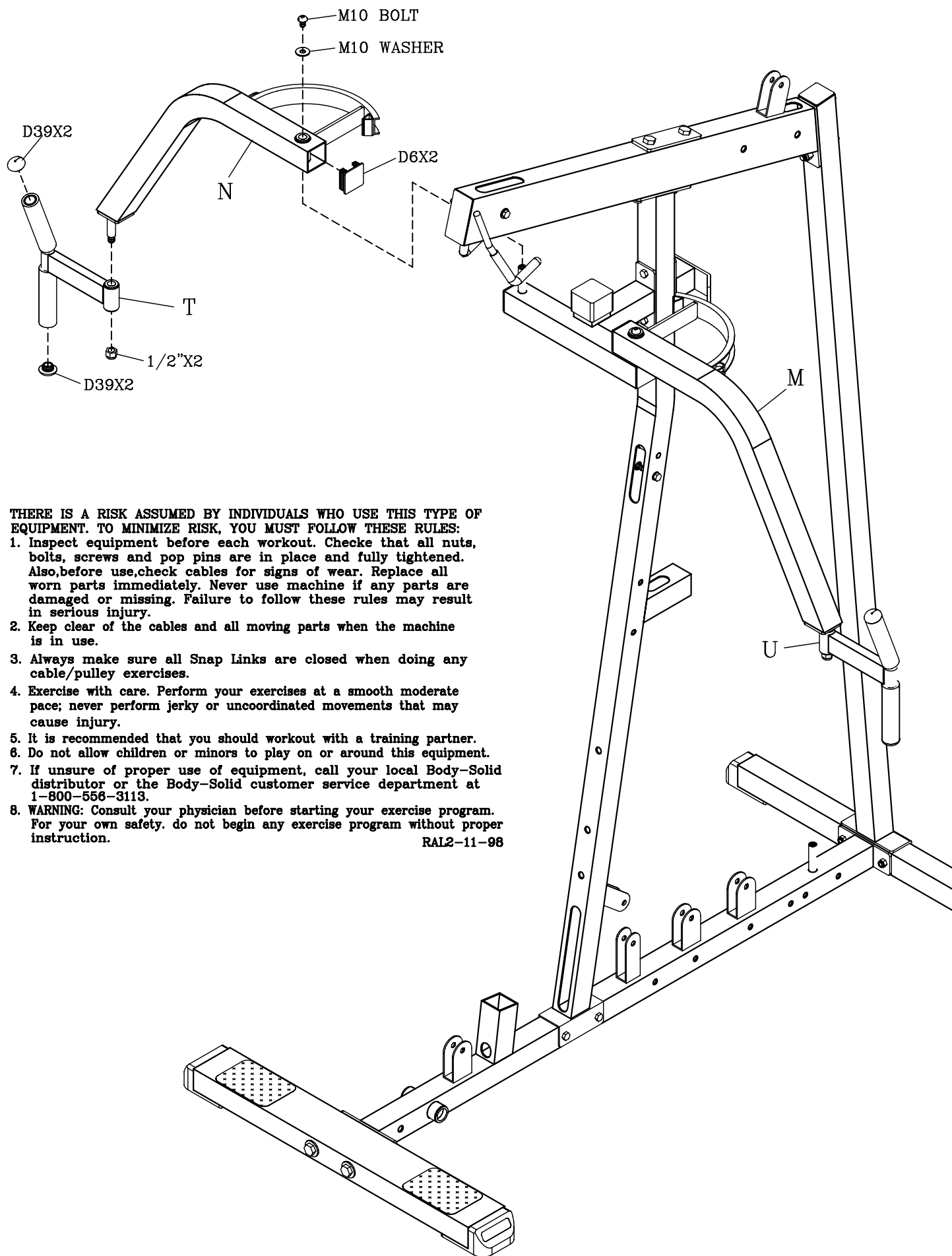
EXM-2000.5



EXM-2000.5



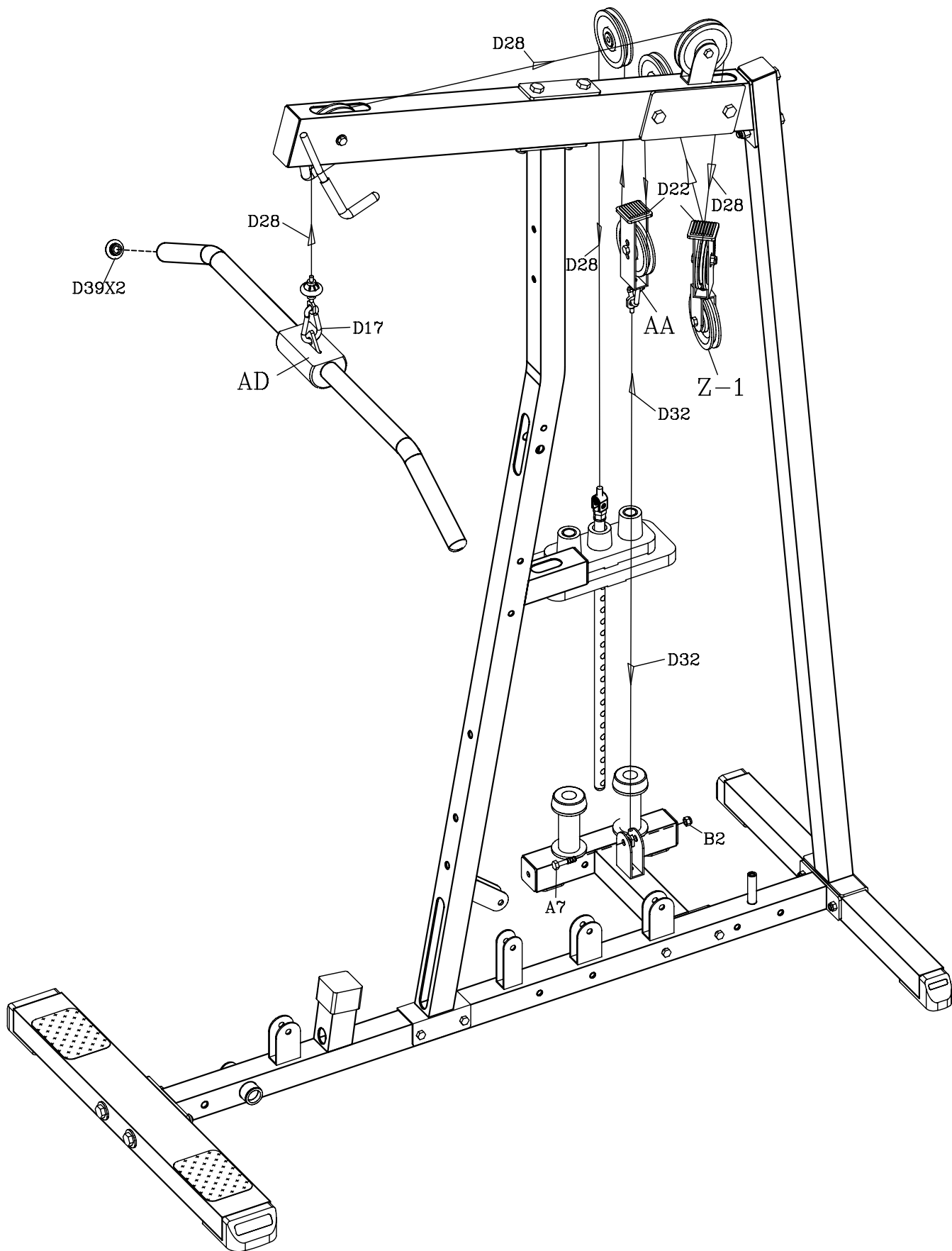
EXM-2000.5

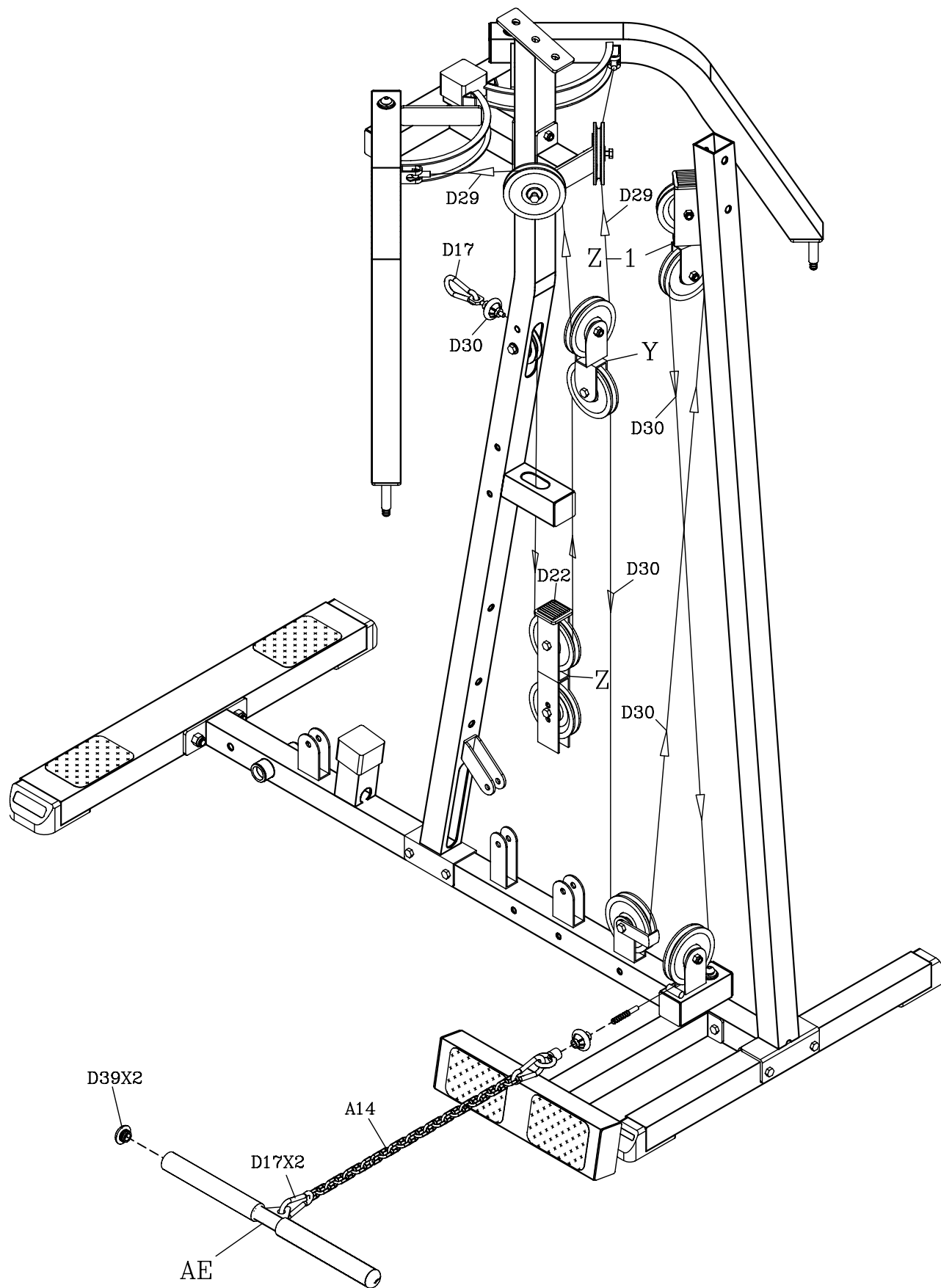


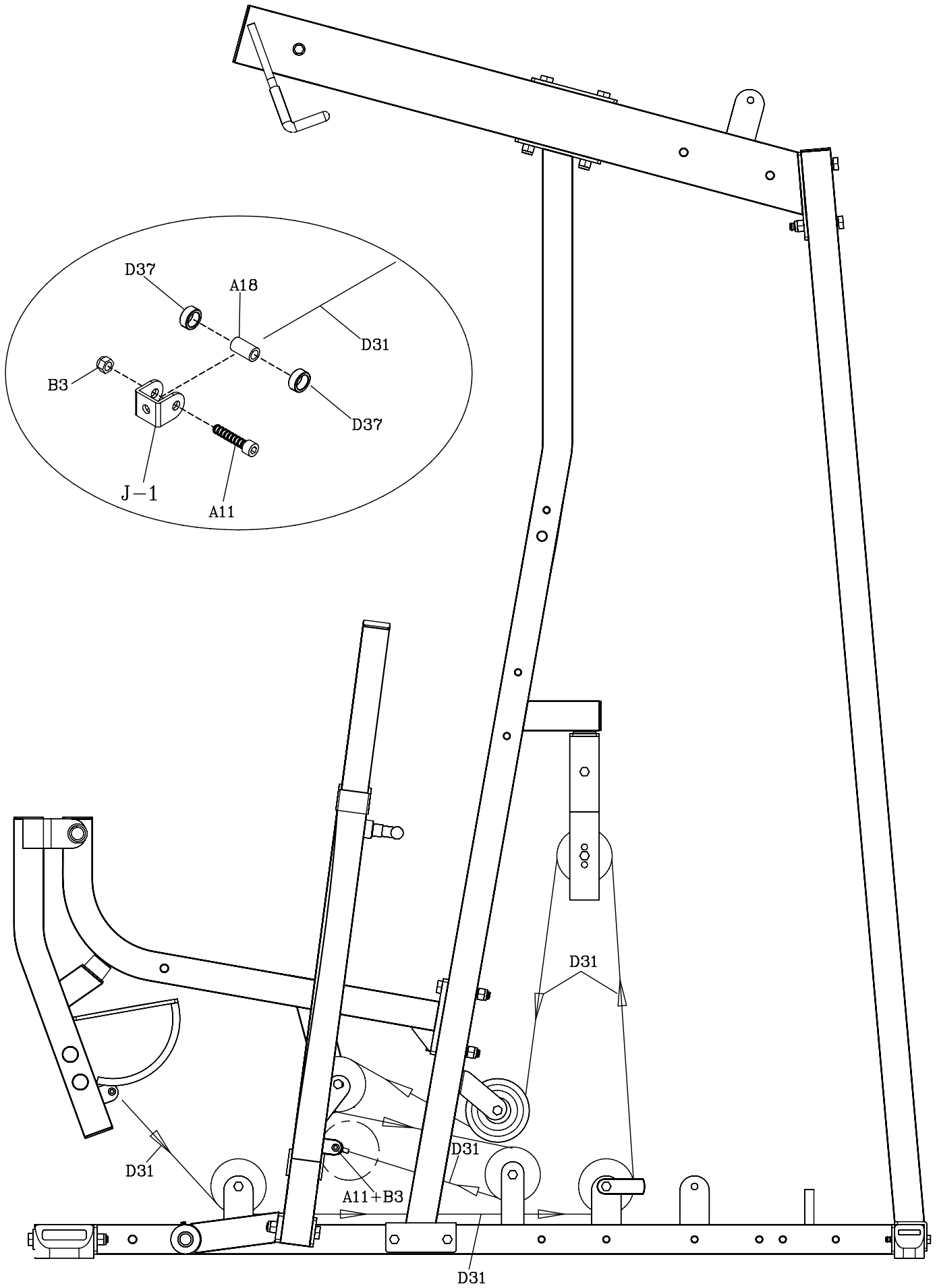
THERE IS A RISK ASSUMED BY INDIVIDUALS WHO USE THIS TYPE OF EQUIPMENT. TO MINIMIZE RISK, YOU MUST FOLLOW THESE RULES:

1. **Inspect equipment before each workout. Check that all nuts, bolts, screws and pop pins are in place and fully tightened. Also, before use, check cables for signs of wear. Replace all worn parts immediately. Never use machine if any parts are damaged or missing. Failure to follow these rules may result in serious injury.**
2. **Keep clear of the cables and all moving parts when the machine is in use.**
3. **Always make sure all Snap Links are closed when doing any cable/pulley exercises.**
4. **Exercise with care. Perform your exercises at a smooth moderate pace; never perform jerky or uncoordinated movements that may cause injury.**
5. **It is recommended that you should workout with a training partner.**
6. **Do not allow children or minors to play on or around this equipment.**
7. **If unsure of proper use of equipment, call your local Body-Solid distributor or the Body-Solid customer service department at 1-800-556-3113.**
8. **WARNING: Consult your physician before starting your exercise program. For your own safety, do not begin any exercise program without proper instruction.**

RA12-11-98







EXM-2000.5

